

SmartMotion™

When you need two routers in one.



B+B SMARTWORX

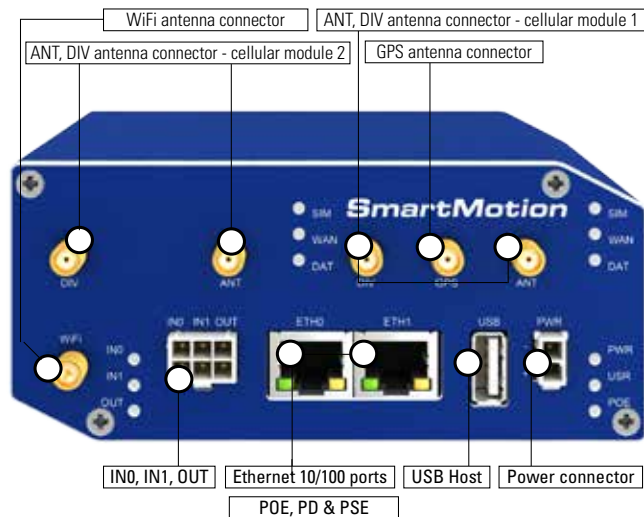
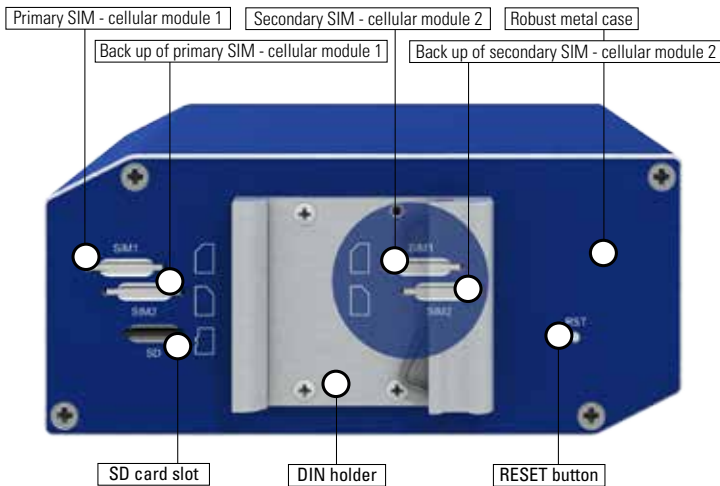
Powered by

ADVANTECH

Intelligence at the Network Edge

WHEN YOU NEED TWO ROUTERS IN ONE

Dual, independent, LTE/4G cellular router modules and 4 SIM slots let SmartMotion automatically switch between multiple carriers as needed, ideal for both business continuity and mobile applications.



- + The standard configuration includes includes 2 Ethernet ports with 2 independent LANs/IP addresses, 1 USB host port, 1 microSD card holder, 4 SIM card holders for automatic failover, 2 binary inputs (I/O) , 1 binary output (I/O) and onboard GPS and Glonass. An optional built-in Wi-Fi module is also available.
- + Load balancing.
- + Optional industrial grade Wi-Fi.
- + PoE PD, PSE models available.
- + Designed and tested for harsh environments.
- + Real time data encryption and the creation of VPN tunnels using IPsec, OpenVPN and L2TP. Support for DHCP, NAT, NAT-T, DynDNS, NTP, VRRP, control by SMS, and numerous other functions.
- + Transfer speeds up to 50 Mbit/s and download speeds of up to 100 Mbit/s meeting the high demand required for video transfer

Intelligent

- + Download our User Modules for specialized functions. Use the router as an AT Modem Emulator, a Modbus RTU/TCP gateway and more.
- + Create your own Linux scripts for additional special functions.
- + Create multiple software configurations for each router and switch between them at any time.
- + Upgrade router configuration and firmware from your central server, allowing for simultaneous mass reconfiguration of every router on the network.
- + Use a secure Web interface to configure and manage the SmartFlex from remote locations.
- + Low power consumption mode for solar and battery power applications.

Powerful

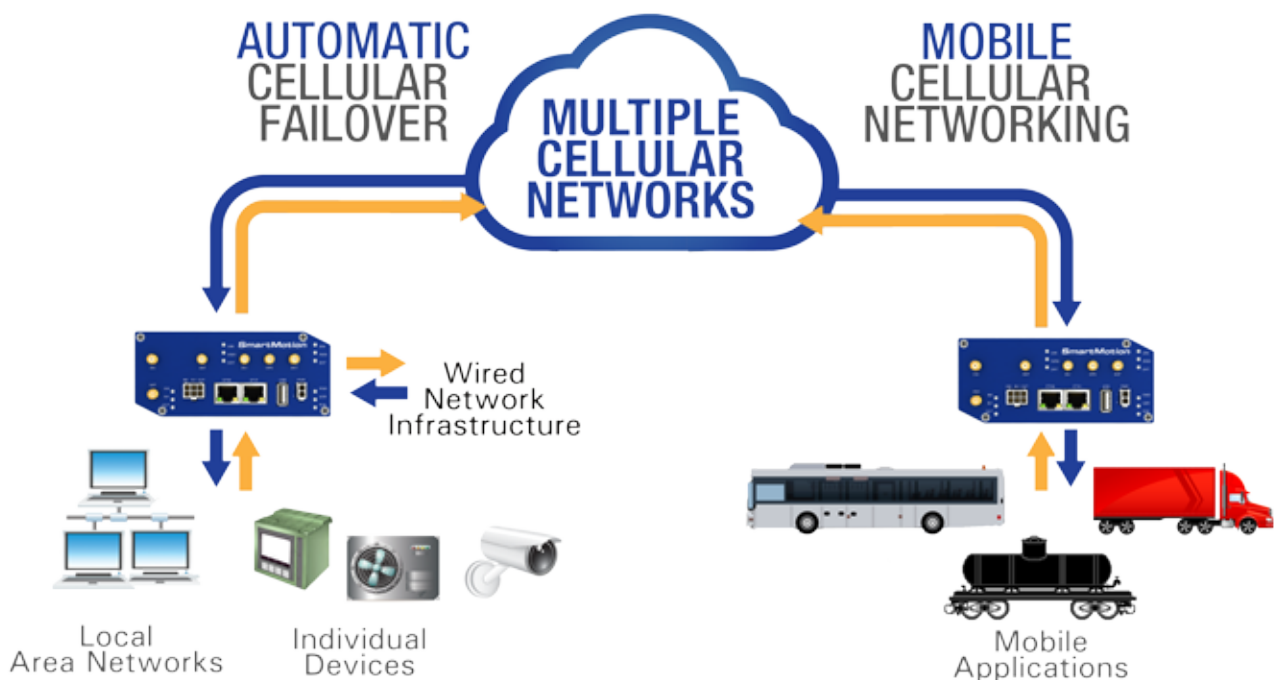
- + Full support for LTE
- + 256 MB flash memory, 512 MB RAM and 128kB M-RAM
- + Upload speeds of up to 50 Mbit/s and download speeds of up to 100 Mbit/s -- easily handles video applications.

Safe and Secure

- + Real time data encryption and the creation of VPN tunnels using IPsec, OpenVPN and L2TP.
- + Support for DHCP, NAT, NAT-T, DynDNS, NTP, VRRP, control by SMS, and numerous other functions.

Rugged and Reliable

- + Four SIM card ports for automatic failover.
- + Designed and manufactured for use in tough environmental conditions.
- + Extended operational temperature range from -40 °C to +75 °C.
- + 10-60 VDC operation with transient and reverse polarity voltage protection.
- + Industrial certifications.



+ GLOBAL REACH FOR GLOBAL SUPPORT

You build your business and we will build your communication solution. Whether you need standard products or require special designs for specific applications – B+B SmartWorx can help.

B+B SMARTWORX

Powered by

ADVANTECH

Worldwide Headquarters

ADVANTECH
No.1, Alley20, Lane26, Rueiguang Road
Neihu District, Taipei 11491
Taiwan, R.O.C
Phone: 0800-777-111
www.advantech.com

European Headquarters

Oranmore, Co. Galway, Ireland
Phone: +353 91 792444
Fax: +353 91 792445
eSales@advantech-bb.com

Corporate Headquarters

707 Dayton Road
Ottawa, IL 61350 USA
Phone: 1-815-433-5100
Fax: 1-815-433-5109
orders@advantech-bb.com
www.advantech-bb.com

Middle East, UAE, Africa

mdeast-afrsales@advantech-bb.com
Mobile: +971 50 943 65 62
AG Silver Tower, JLT, P.O. Box 48777
Dubai, UAE

Cellular Product Group

Sokolská 71, 562 04 Ústí nad Orlicí III.
Czech Republic
Phone: +420 465 521 020
Fax: +420 464 647 299
GSM: +420 603 872 287
cellularsales@advantech-bb.com

Latin America, Caribbean

latamsales@advantech-bb.com
Phone: 1-727-797-0300
Cell: 1-727-480-5920

OEM & Product Modification

Phone: 815-433-5222
Fax: 815-433-5104
Attn: Custom Dept.
custom@advantech-bb.com
Custom Quote Request Form:
<http://advantech-bb.com/custom>

advantech-bb.com

© B+B Smartworx, Inc
All rights reserved.
4516