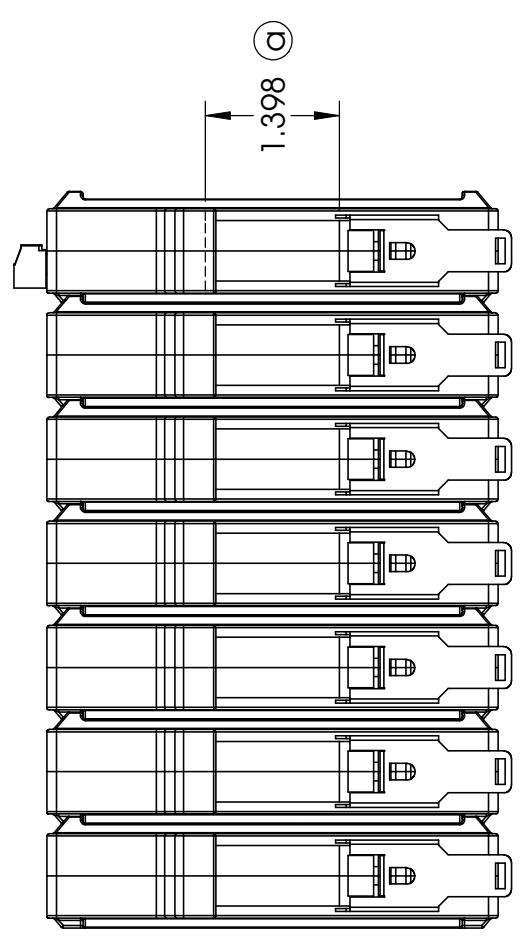
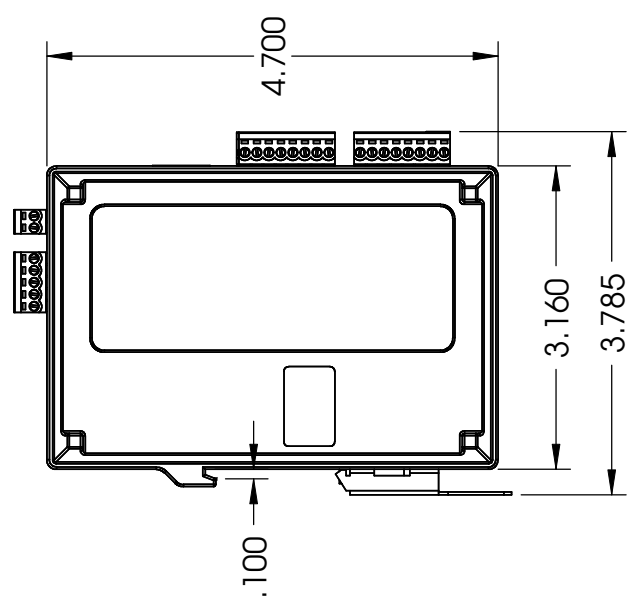
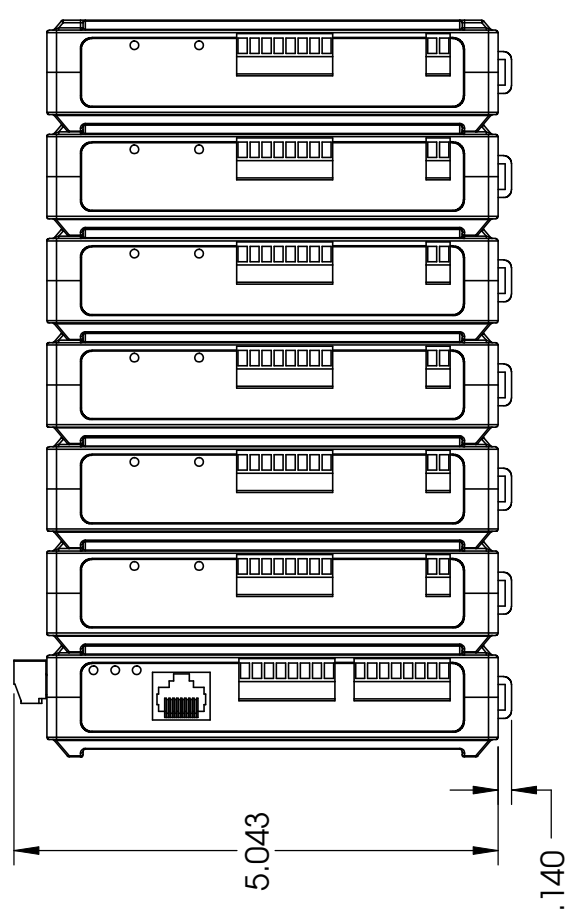
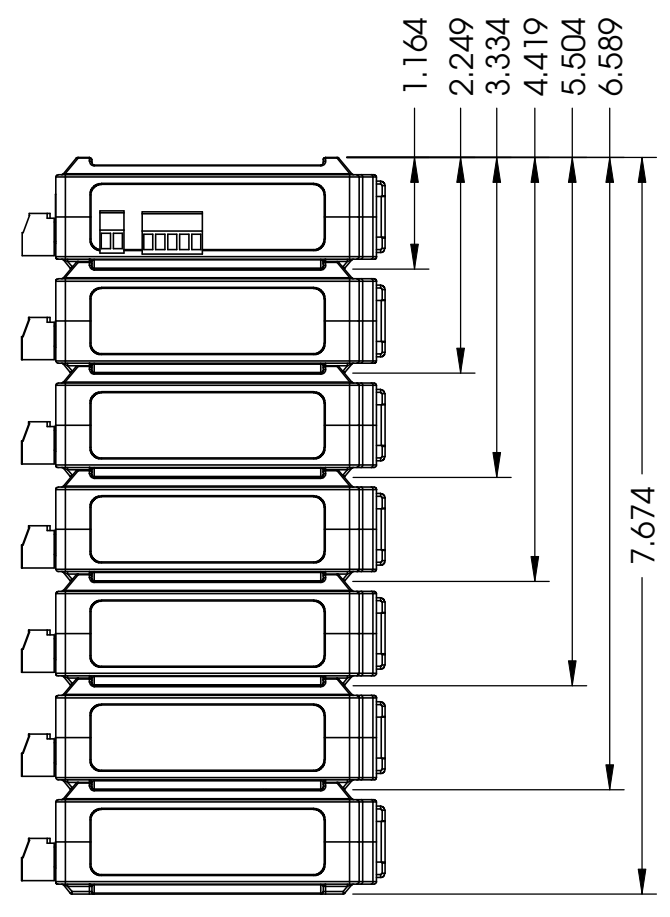
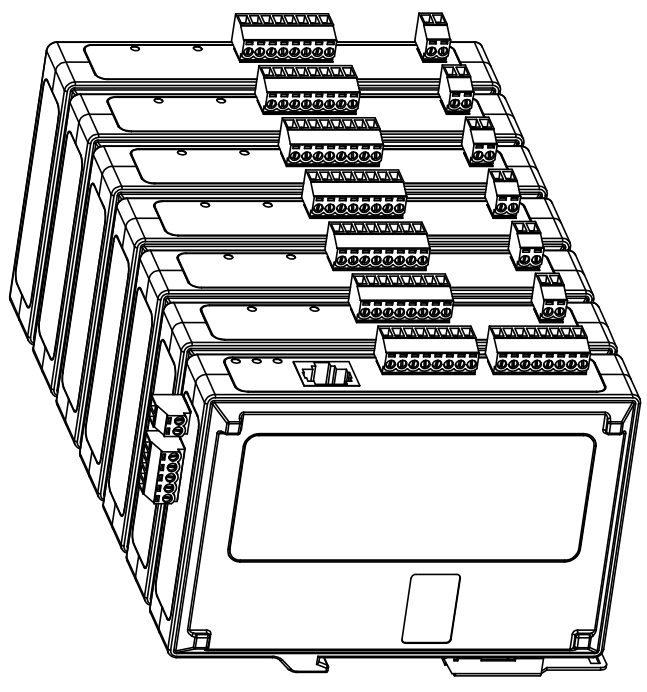


1 2 3 4 5 6 7 8



B & B electronics
MANUFACTURING COMPANY
Furnishing You, From, and With - Supply and Ability

TITLE:

ZLINX 485 MODULAR I/O

SIZE	DWG. NO.	REV
B	-	A

SCALE: 1:2 SHEET 1 OF 1

PROPRIETARY AND CONFIDENTIAL
THE INFORMATION CONTAINED IN THIS DRAWING IS THE SOLE PROPERTY OF B&B electronics. ANY REPRODUCTION IN PART OR AS A WHOLE WITHOUT THE WRITTEN PERMISSION OF B&B electronics IS PROHIBITED.

(a) DESIGNED TO FIT ON A STANDARD 35mm DIN RAIL

1 2 3 4 5 6 7 8