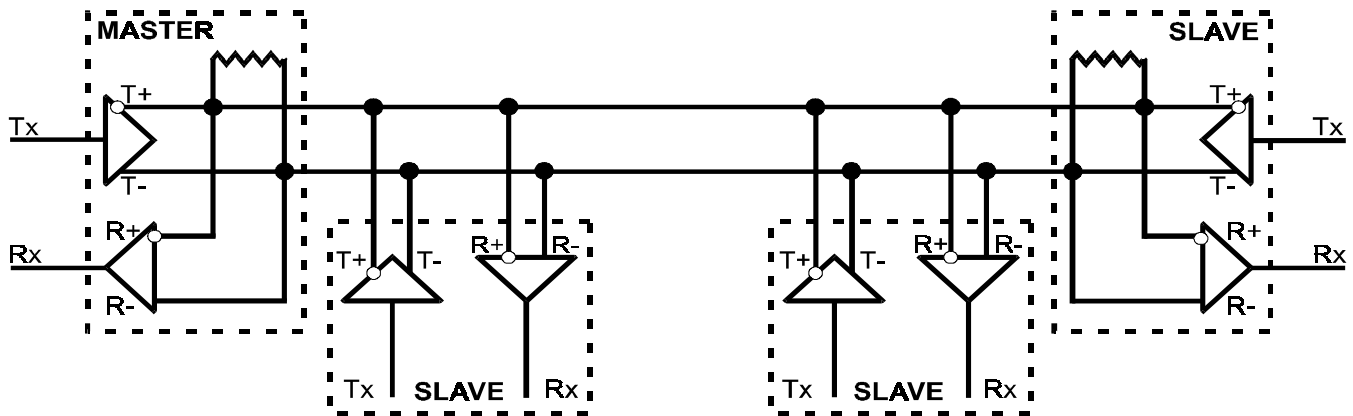
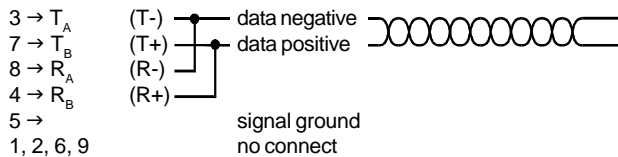


## Edgeport/2i with RS-485 Half Duplex Multi-drop



Note: The master unit can be placed at any drop along the twisted pair. The configuration pictured above is just an example.

### Configuring the Cable Connections (DB9 female)



**IMPORTANT:** Note that half duplex contains only one twisted pair.

### Configuring the Two Position DIP Switch

The Edgeport/2i has a two position DIP switch. This switch connects the signal ground to chassis ground. **IMPORTANT:** Do not connect signal ground to chassis ground on more than one location in order to prevent ground loops and potentially high currents. See figure 1.

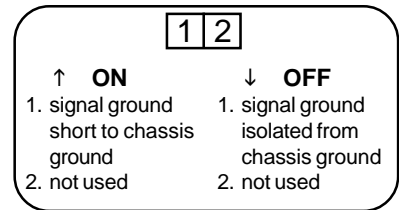


Figure 1: Two Position DIP Switch

### Configuring the Edgeport/2i

The Edgeport/2i, which supports both RS-422 and RS-485, also has two sets of eight position DIP switches, one set for each serial port. Consult the diagram in figure 2 for RS-485 half duplex configuration settings.

The terminating resistor should be turned ON on both ends of the physical cable and should be turned OFF for all other devices.

\* Echo, when enabled, means that the transmitting device receives its own transmitted data back.

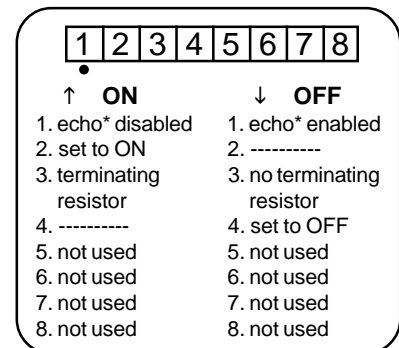


Figure 2: Eight Position DIP Switches