

Universal Regulated +12VDC Desktop Switching Power Supply CE

Model LZUSD02003



Description

This compact, desktop universal switching power supply provides a regulated +12VDC @ 1.5A from a 90-263VAC input. The LZUSD02003 has a 2.5mm mono plug with the tip as +12VDC and the post as GND attached to a cord of 6 feet (1.8m). Embedded in the unit is a universal IEC 320 male input plug. Combine this product with B&B power cord products Model 200UKCRD for UK connections or Model 220ECORD for European connections for ease of country compatibility.

Compatibility

The LZUSD02003 can be used with any of B&B Electronics' products that have a 2.5mm mono plug power jack.

Features

- 18W Power Rating
- Safety Agencies: UL, CSA, and CE
- EMI: FCC Class "B", EN55022 and EN55011 Class "B"
- Built-In Overvoltage/Overcurrent Protection
- High Performance and Reliability
- Small, Lightweight Design
- High Quality Plastic Enclosure

Specifications	
Input Voltage	90-263VAC
Input Frequency	50-60Hz
Input Current	Less than 0.5 Amps (0.38 Amps nominal)
Output Voltage	+12VDC @ 0-1.5 Amps
Rated Output Power	18 Watts
Output Current	0 to 1.5 Amps
Output Ripple (peak-to-peak)	1% or 100mV maximum whichever is smaller
Output Regulation (Line/Load)	±5% maximum
Turn-on/Turn-off Overshoot	5% maximum
Turn-on Delay	0.5 seconds maximum
Hold-up time	20ms minimum at nominal line (120VAC)
Inrush current	Less than 40 Amps peak at cold start
Efficiency	75% typical at full load nominal line
Switching Frequency	100 kHz typical
Over-voltage Protection	Basic protection limits the output voltages below 130% of the nominal voltage
Over-current/short-circuit	Hiccup, automatic recovery
Other Protection	Input fusing, thermal shutdown
Safety Approvals	UL 1950, CSA to 22.2 #234, CE with EN50082, VDE, SEMKO, FIMKO, DEMKO to EN60950
Line Surge	IEC 801-5 Level 4
EMI	FCC Part 15 Class "B", EN55022 and EN55011 Class "B"
MTBF	Greater than 50,000 hours calculated
Operating Temperature	0°C to 40°C
Humidity	0% to 90% relative humidity
Storage Temperature	-40°C to 80°C

B&B Electronics -- Revised July 1999

Phone: (815) 433-5100
Office Fax: (815) 433-5105
Tech Fax: (815) 433-5104
Sales Fax: (815) 433-5109

B & B electronics
MANUFACTURING COMPANY
707 Dayton Road -- P.O. Box 1040 -- Ottawa, IL 61350 USA

Home Page: www.bb-elec.com
E-mail: orders@bb-elec.com
support@bb-elec.com
catrqt@bb-elec.com

Not Recommended for New Installations.
Please contact Technical Support for more information.

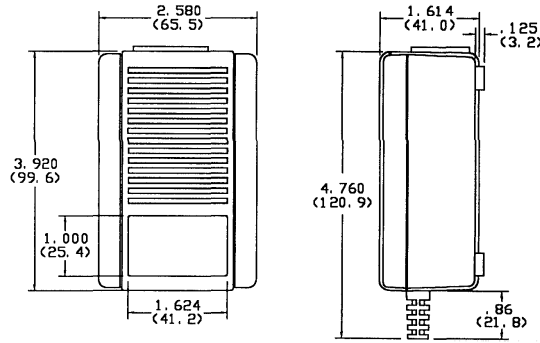
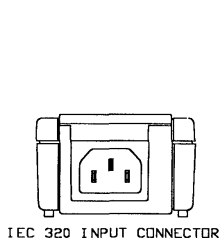


Figure 1: Power Supply Dimensions

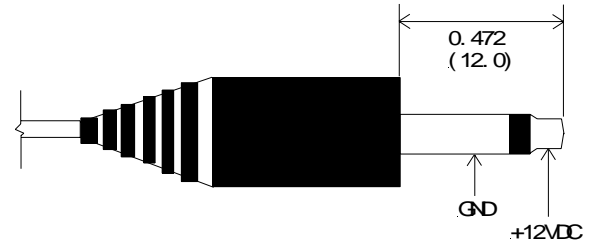



Figure 2: LZUSD02003 2.5mm Mono Plug

Note: Figure 1 and Figure 2 are not drawn to scale. All dimensions are in this format: inches (millimeters).

Declaration of Conformity

Application of Council Directive(s):	89/336/EEC
Standards to which Conformity is Declared:	EN55022, EN55011 Class B, FCC Part 15 EN50082-1, including IEC 801-2, 3, 4 and IEC801-5 level 4 NRTL/C to UL1950, CSA to 22.2 #234 950 MITI (Japan), T-Mark to IEC 950 VDE, SEMKO, FIMKO, DEMKO to EN60950
Importer's Name:	B&B Electronics
Type of Equipment:	Power Supply, Switching 20W Vulcan, 12VDC, 1.5A Universal, Desk Top
Model Numbers:	LZUSD02003B0200
Year of Manufacture:	1998

I, the undersigned, hereby declare that the equipment specified above conforms to the above Directive and Standards:



Pary Nieto, QA Manager

1/14/98

B&B Electronics -- Revised July 1999

Phone: (815) 433-5100
Office Fax: (815) 433-5105
Tech Fax: (815) 433-5104
Sales Fax: (815) 433-5109

B&B electronics
MANUFACTURING COMPANY
707 Dayton Road -- P.O. Box 1040 -- Ottawa, IL 61350 USA

Home Page: www.bb-elec.com
E-mail: orders@bb-elec.com
support@bb-elec.com
catrqt@bb-elec.com