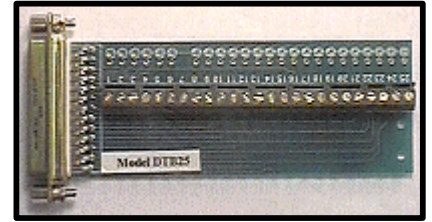


Terminal Block Adapter Board Model DTB25

Document No. DTB252595



The DTB25 connects each pin of a DB25P connector to a terminal block. The DTB25 can be used with the following B&B data acquisition modules: 232SDA10, 232SDA12, 232SDD16, 485SDA10, 485SDA12, and 485SDD16. An enclosure for the DTB25 is available.

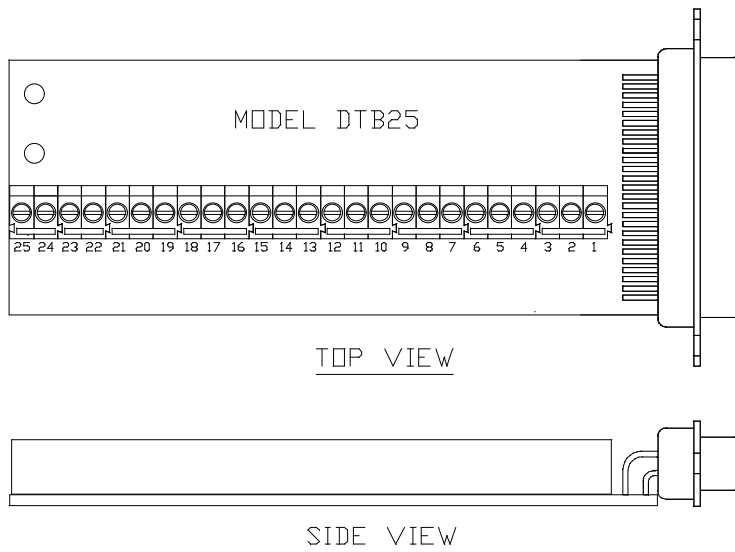


Figure 1 - DTB25 Outline Drawing

DTB25 Size: 0.5" x 2.1" x 4.3"

Terminal Block Wire Size: 26 - 16 AWG

© B&B Electronics - January 1995

B&B electronics
MANUFACTURING COMPANY

707 Dayton Road • PO Box 1040
Ottawa, IL 61350 USA
Phone: (815) 433-5100 • FAX: (815) 434-7094