



UL Recognized
File No. E52197



COMPLIES WITH REQUIREMENTS OF

• IEC STANDARDS 947-4-1 AND 947-5-1 LOW VOLTAGE DIRECTIVE



• IEC = INTERNATIONAL ELECTROTECHNICAL COMMISSION

• TESTING AND EVALUATION PERFORMED BY THE UNDERWRITERS LABORATORIES AS A THIRD PARTY PARTICIPANT

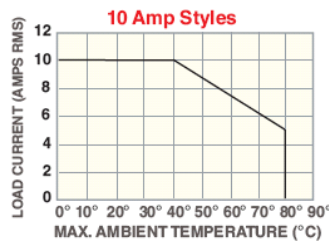
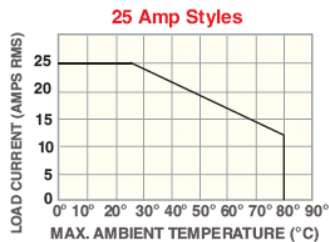
SSR-DIN Solid State DIN Mount Relay

Features - Benefits

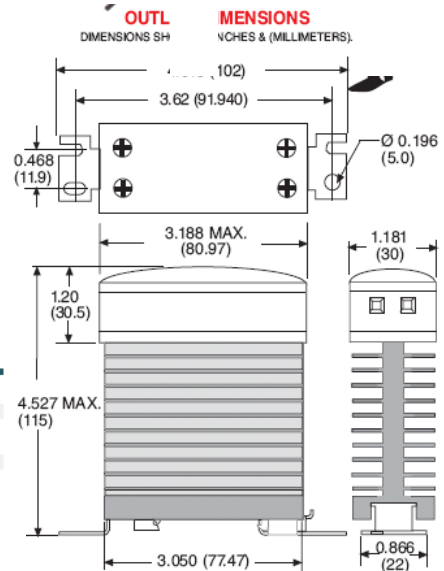
- Integral Heatsink**-Factory tested thermal management.
- DIN Clip-Mount** Directly on DIN rail or panel
- Optically Coupled Circuit**-Isolate input from output
- Internal Snubber**-Protects from transients

AC & DC CONTROLLED INPUT. INTEGRAL HEATSINK. OPTICALLY COUPLED FOR 4000 VAC ISOLATION BETWEEN INPUT AND OUTPUT AND RFI SUPPRESSION. 30 MILLIMETERS WIDE PANEL/DIN MOUNTABLE(35 mm RAIL) FINGER SAFE COVER L. E. D. STATUS LAMP LIFETIME WARRANTY

THERMAL DERATING CURVE & LOAD CHARACTERISTICS



RANDOM TURN-ON AND NORMALLY CLOSED VERSIONS AVAILABLE



GENERAL SPECIFICATIONS (@25° C)	
INPUT CHARACTERISTICS	
Control Voltage Range:	DIN-AC:90-280 VAC(50/60 Hz) / DIN-DC:3-32 VDC
Typical Input Current:	AC: 12 mA; DC: 16mA
Must Release Voltage:	10 VAC/1VDC
Reverse Polarity Protection:	DC: Yes
Power Indicator:	Red L.E.D. Status lamp

OUTPUT CHARACTERISTICS					
STYLE	SSR:	210DIN-AC	225 DIN-AC	210DIN-DC	225DIN-DC
Load Voltage Range (50/60 Hz):		40-280 VAC	40-280 VAC	40-280 VAC	40-280 VAC
Rated Load Current		10 AMP	25 AMP	10 AMP	25 AMP
Maximum Off State Voltage dv/dt		200 uS	500 uS	200 uS	500 uS
Minimum Load Current:		50 mA	120 mA	50 mA	120 mA
Non-Repetitive Surge Current (1 cycle):		83 A	800 A	83 A	800 A
Maximum Off State Leakage Current (Rms)		10 mA	10 mA	10 mA	10 mA
Typical On-State Voltage Drop (Rms):		1.25 VAC	1.35 VAC	1.25 VAC	1.25 VAC
Maximum I ² T for Fusing (A ² Sec):		83	3700	83	3700
Maximum Turn-On Time:		8.3 mS			
Maximum Turn-Off Time:		8.3 mS			

STANDARD PART NUMBERS	RATED LOAD CURRENT
SSR210DIN-AC	10 AMPS
SSR225DIN-AC	25 AMPS
SSR210DIN-DC	10 AMPS
SSR225DIN-DC	25 AMPS

Miscellaneous Characteristics

- Dielectric Strength (input/output/base): 4000 V rms
- Insulation Resistance: 100 megohms minimum @ 500 VDC
- Operating Temperature Range: -30°C to +80°C
- Storage Temperature Range: -40°C to +100°C
- Weight: 340 grams approx.



International Headquarters: 707 Dayton Road PO Box 1040 Ottawa, IL 61350 USA
815-433-5100 Fax 433-5104 www.bb-elec.com orders@bb-elec.com support@bb-elec.com

European Headquarters: Westlink Commercial Park Oranmore Co. Galway Ireland
+353 91 792444 Fax +353 91 792445 www.bb-europe.com orders@bb-europe.com support@bb-europe.com