



Model I-7052D with LED Display

## Models: I-7052, 7052D

# Isolated Digital Input Module

### with LED Display (I-7052D)

I-7000 is a family of network data acquisition and control modules providing analog to digital, digital to analog, digital input/output, timer/counter and other functions. The modules can be remotely controlled by a set of commands.

The digital input/output modules support TTL signal, photo-isolated digital input, relay contact output, solid-state relay output, PhotoMOS output and open-collector output.

The I-7052 is an 8-channel digital input module. There are 6 independent isolated channels and 2 isolated channel with common ground. The I-7052 provides 5000Vrms isolation to prevent damage from high voltage surge in the industrial environment.

The I-7052D is the I-7052 with LED display.

### Specifications

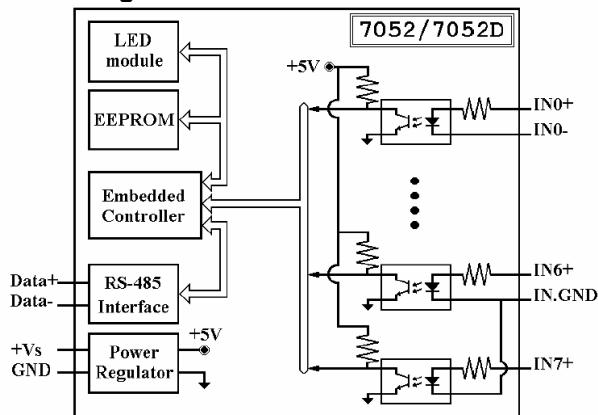
#### Digital Input

- Channels: 8
  - 6 fully independent channels
  - 2 common ground channels
- Digital input status
  - Logic level 0: +1V max.
  - Logic level 1: +3.5V ~ +30V
- D/I can be used as counter
- Channels: 8
  - Input frequency: 100Hz
  - 16-bit: 0~65,535
- Input impedance: 3KW, 0.5W
- Isolation voltage: 5000Vrms

### Features/Benefits

- 8 digital input channels
- LED indication
- 5000Vrms Isolation
- Software calibration
- Dual watchdog

### Block Diagram



### PIN Assignments

IN5+	1	20	IN4-
IN5-			IN4+
IN6+			IN3-
IN.GND			IN3+
IN7+			IN2-
INIT*			IN2+
(Y)DATA+			IN1-
(G)DATA-			IN1+
(R)+Vs			IN0-
(B)GND	10	11	IN0+

International Headquarters:

**B & B Electronics Mfg. Co.** 707 Dayton Road P.O. Box 1040 Ottawa, IL 61350 USA  
815-433-5100 Fax 433-5104 [www.bb-elec.com](http://www.bb-elec.com) [orders@bb-elec.com](mailto:orders@bb-elec.com) [support@bb-elec.com](mailto:support@bb-elec.com)

**B & B Electronics Ltd** Westlink Commercial Park Oranmore Co. Galway Ireland  
+353 91 792444 Fax +353 91 792445 [www.bb-europe.com](http://www.bb-europe.com) [orders@bb-elec.com](mailto:orders@bb-elec.com) [support@bb-europe.com](mailto:support@bb-europe.com)

**LED Indication** (Only for I-7052D)

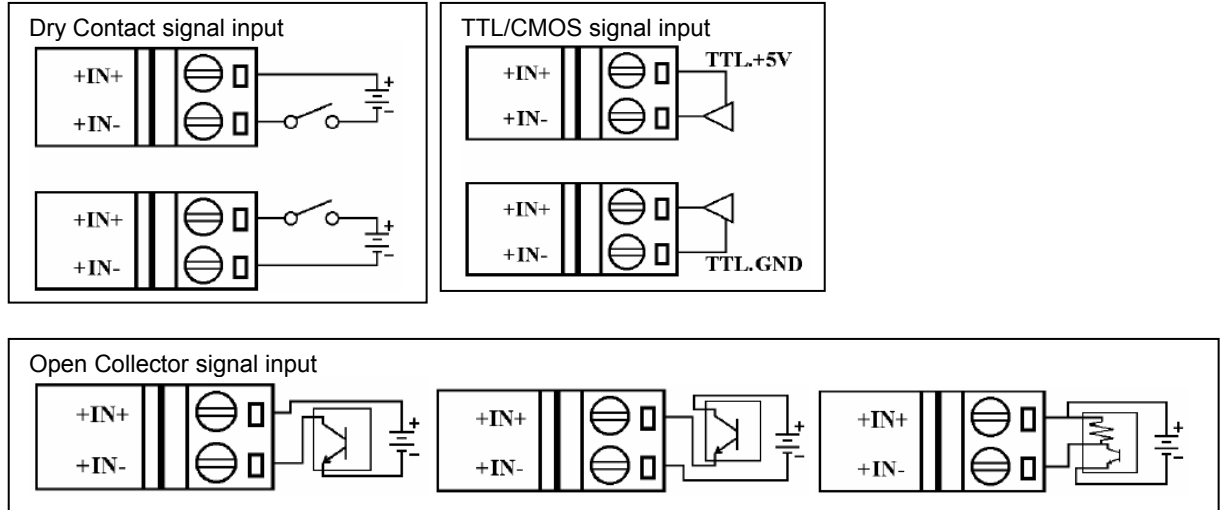
**RS-485 Connector**

Asynchronous 2-wire half-duplex  
Pluggable terminal block: Pitch 5.08mm

**Baud Rate**

1.2K/2.4K/4.8K/9.6K/19.2K/38.4K/57.6K/115.2K bps

**Wire Connection**



**Power Requirements**

Power input: +10 to +30VDC input

**Power Consumption**

0.2Watt for I-7052  
0.6Watt for I-7052D

**Environmental**

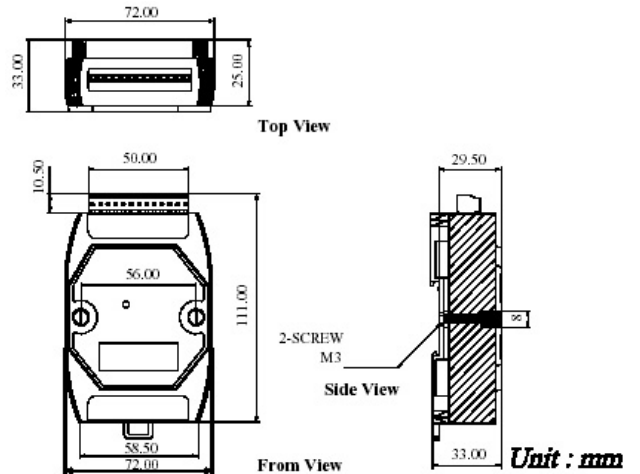
Storage temperature: -25 to 80°C (-13 to 176 °F)  
Operation temperature: -20 to 75°C (-4 to 167 °F)  
Humidity: 5 to 95%, non-condensing

**Dimensions:**

120 x 72 x 33 cm  
47.2 x 28.4 x 13.0 in

**Certification:**

CE



International Headquarters:

**B & B Electronics Mfg. Co.** 707 Dayton Road P.O. Box 1040 Ottawa, IL 61350 USA  
815-433-5100 Fax 433-5104 [www.bb-elec.com](http://www.bb-elec.com) [orders@bb-elec.com](mailto:orders@bb-elec.com) [support@bb-elec.com](mailto:support@bb-elec.com)

**B & B Electronics Ltd** Westlink Commercial Park Oranmore Co. Galway Ireland  
+353 91 792444 Fax +353 91 792445 [www.bb-europe.com](http://www.bb-europe.com) [orders@bb-elec.com](mailto:orders@bb-elec.com) [support@bb-europe.com](mailto:support@bb-europe.com)