



Model I-7050D with LED Display

Models: I-7050, I-7050D

Digital Input/Output Module

with LED Display (I-7050D)

I-7000 is a family of network data acquisition and control modules providing analog to digital, digital to analog, digital input/output, timer/counter and other functions. The modules can be remotely controlled by a set of commands.

The digital input/output modules support TTL signal, photo-isolated digital input, relay contact output, solid-state relay output, PhotoMOS output and open-collector output.

The I-7050 is a 7-channel digital inputs and 8-channel outputs module. The digital input channels can monitor active TTL signals, and sense passive switch on/off signal. The output channels are open-collector transistor switches that you can control from host PC or you can use the switches to control solid-state relays.

The I-7050D is the I-7050 with LED display.

Specifications

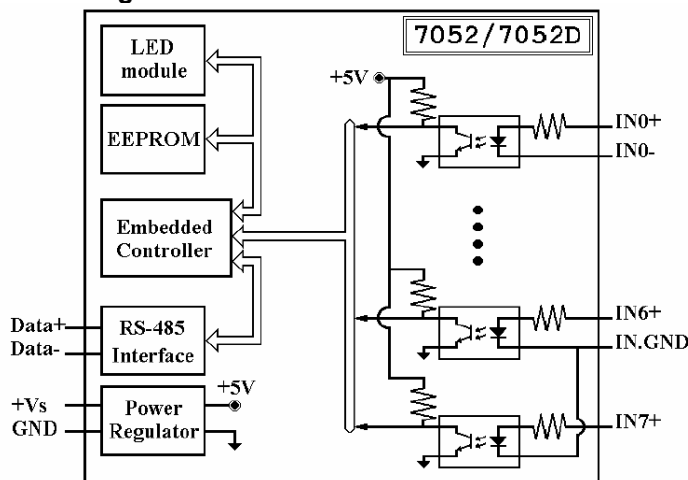
Digital Input

- Channels: 7 (Sink)
- Digital input status
 - Logic level 0: +1V max.
 - Logic level 1: +3.5V ~ +30V
- D/I can be used as counter channels: 7
 - Input frequency: 100Hz
- 16-bit: 0~65,535

Digital Output

- Channels: 8 (NPN, Sink)
 - Open collector to 30V, 30mA max. load
- Power dissipation: 300mW

Block Diagram



Features/Benefits

- 7 digital input channels
- 8 digital output channels
- LED indication
- Software calibration
- Dual watchdog

PIN Assignments

DO7	1	20	DI6
DO6			DI5
DO5			DI4
DO4			DI3
DO3			DI2
INIT*			DI1
(Y)DATA+			DI0
(G)DATA-			DO0
(R)+Vs			DO1
(B)GND	10	11	DO2

International Headquarters:

B&B Electronics Mfg. Co. 707 Dayton Road P.O. Box 1040 Ottawa, IL 61350 USA
815-433-5100 Fax 433-5104 www.bb-elec.com orders@bb-elec.com support@bb-elec.com

B&B Electronics Ltd Westlink Commercial Park Oranmore Co. Galway Ireland
+353 91 792444 Fax +353 91 792445 www.bb-europe.com orders@bb-elec.com support@bb-europe.com

LED Indication (Only for I-7050D)

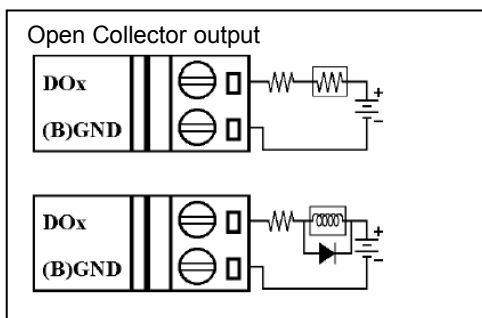
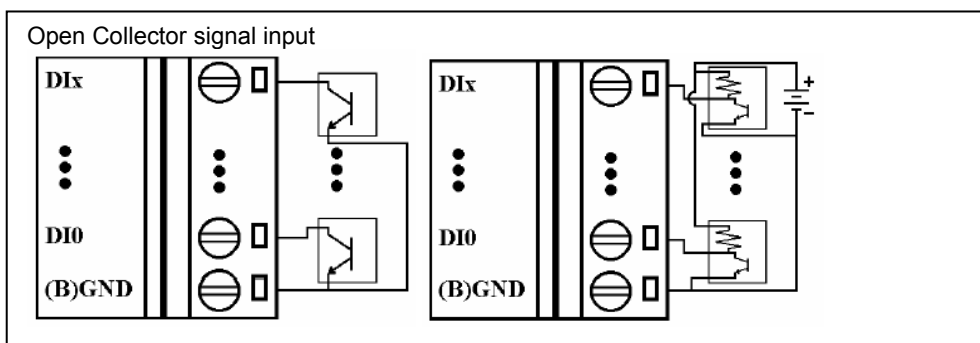
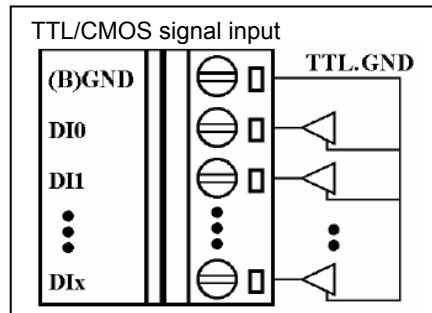
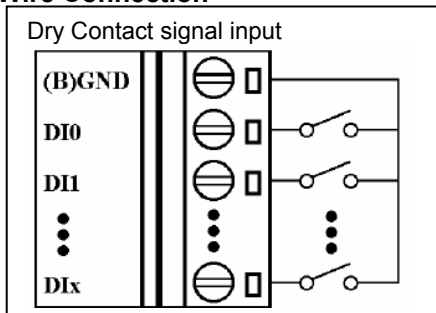
RS-485 Connector

Asynchronous 2-wire half-duplex
Pluggable terminal block: Pitch 5.08mm

Baud Rate

1.2K/2.4K/4.8K/9.6K/19.2K/38.4K/57.6K/115.2K bps

Wire Connection



Power Requirements

Power input: +10 to +30VDC input

Power Consumption

0.4Watt for I-7050

1.1Watt for I-7050D

Environmental

Storage temperature: -25 to 80°C (-13 to 176 °F)

Operation temperature: -20 to 75°C (-4 to 176 °F)

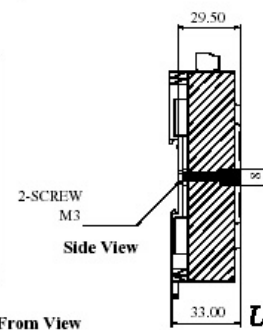
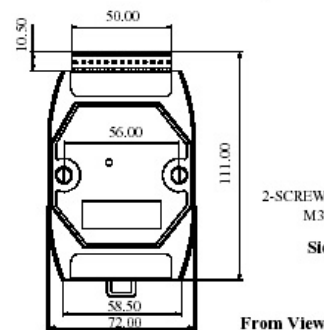
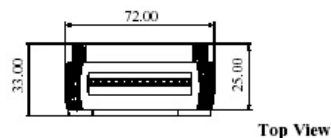
Humidity: 5 to 95%, non-condensing

Dimensions LxWxD:

120 x 72 x 33 cm
47.2 x 28.4 x 13.0 in

Certification:

CE



Unit : mm

International Headquarters:

B & B Electronics Mfg. Co. 707 Dayton Road P.O. Box 1040 Ottawa, IL 61350 USA
815-433-5100 Fax 433-5104 www.bb-elec.com orders@bb-elec.com support@bb-elec.com

B & B Electronics Ltd Westlink Commercial Park Oranmore Co. Galway Ireland
+353 91 792444 Fax +353 91 792445 www.bb-europe.com orders@bb-elec.com support@bb-europe.com