



Model I-7043D with LED Display

**Models: I-7043, I-7043D**  
**16-Channel Digital Output Module**  
**with LED Display (I-7043D)**

I-7000 is a family of network data acquisition and control modules providing analog to digital, digital to analog, digital input/output, timer/counter and other functions. The modules can be remotely controlled by a set of commands.

The digital input/output modules support TTL signal, photo-isolated digital input, relay contact output, solid-state relay output, PhotoMOS output and open-collector output.

The I-7043 is a 16-channel digital output module. The output channels are open collector transistor switches that can control heaters, pumps and power equipment.

The I-7043D is the I-7043 with LED display.

**Specifications**

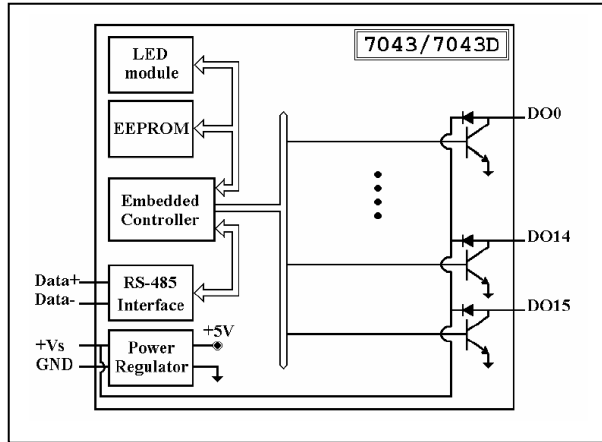
**Digital Output**

- Channels: 16 isolated O.C. channels
- Open collector to 30V max.
- Output current: 100mA per channel
- Direct drive power relay module

**Features/Benefits**

- 16 digital output channels
- LED indication
- Software calibration
- Dual watchdog

**Block Diagram**



**PIN Assignments**

DO10	1	20	DO9
DO11			DO8
DO12			DO7
DO13			DO6
DO14			DO5
INIT*/DO15			DO4
(Y)DATA+			DO3
(G)DATA-			DO2
(R)+Vs			DO1
(B)GND	10	11	DO0

**LED Indication** (Only for I-7043D)

**RS-485 Connector**

Asynchronous 2-wire half-duplex  
 Pluggable terminal block: Pitch 5.08mm

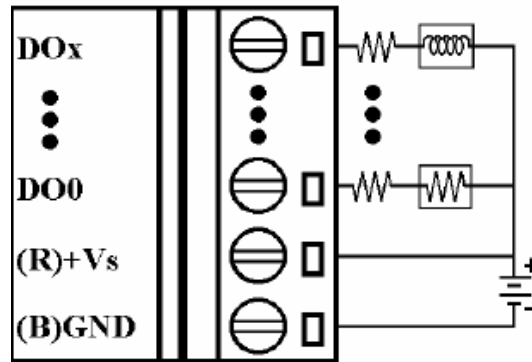
**Baud Rate**

1.2K/2.4K/4.8K/9.6K/19.2K/38.4K/57.6K/115.2K bps

International Headquarters:

**B & B Electronics Mfg. Co.** 707 Dayton Road P.O. Box 1040 Ottawa, IL 61350 USA  
 815-433-5100 Fax 433-5104 [www.bb-elec.com](http://www.bb-elec.com) [orders@bb-elec.com](mailto:orders@bb-elec.com) [support@bb-elec.com](mailto:support@bb-elec.com)

**B & B Electronics Ltd** Westlink Commercial Park Oranmore Co. Galway Ireland  
 +353 91 792444 Fax +353 91 792445 [www.bb-europe.com](http://www.bb-europe.com) [orders@bb-elec.com](mailto:orders@bb-elec.com) [support@bb-europe.com](mailto:support@bb-europe.com)

**Wire Connection****Power Requirements**

Power input: +10 to +30VDC input

**Power Consumption**

0.4Watt for I-7043

1.1Watt for I-7043D

**Environmental**

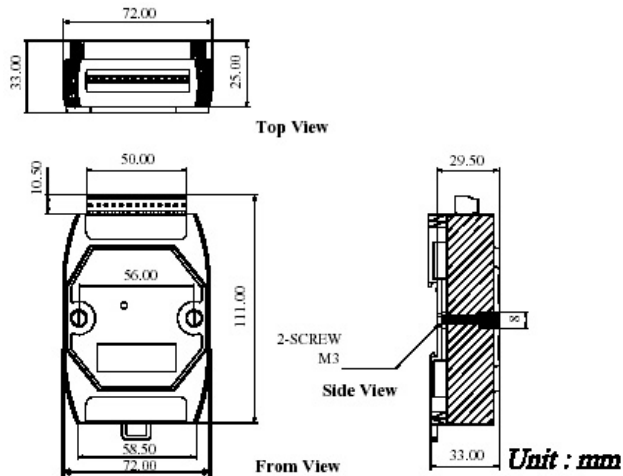
Storage temperature: -25 to 80°C (-13 to 176 °F)

Operation temperature: -20 to 75°C (-4 to 167 °F)

Humidity: 5 to 95%, non-condensing

**Dimensions LxWxH:** 120 x 72 x 33 cm  
47.2 x 28.4 x 13.0 in

**Certification:** CE



International Headquarters:

**B & B Electronics Mfg. Co.** 707 Dayton Road P.O. Box 1040 Ottawa, IL 61350 USA  
815-433-5100 Fax 433-5104 [www.bb-elec.com](http://www.bb-elec.com) [orders@bb-elec.com](mailto:orders@bb-elec.com) [support@bb-elec.com](mailto:support@bb-elec.com)

**B & B Electronics Ltd** Westlink Commercial Park Oranmore Co. Galway Ireland  
+353 91 792444 Fax +353 91 792445 [www.bb-europe.com](http://www.bb-europe.com) [orders@bb-elec.com](mailto:orders@bb-elec.com) [support@bb-europe.com](mailto:support@bb-europe.com)