



Models: I-7042, I-7042D

13-Channel Isolated Digital Output Module
with LED Display (I-7042D)

I-7000 is a family of network data acquisition and control modules providing analog to digital, digital to analog, digital input/output, timer/counter and other functions. The modules can be remotely controlled by a set of commands.

The digital input/output modules support TTL signal, photo-isolated digital input, relay contact output, solid-state relay output, PhotoMOS output and open-collector output.

The I-7042 is a 13-channel digital output module. Output channels are open collector transistor switches that can control heaters, pumps and power equipment. The I-7042D is the I-7042 with LED display.

Specifications

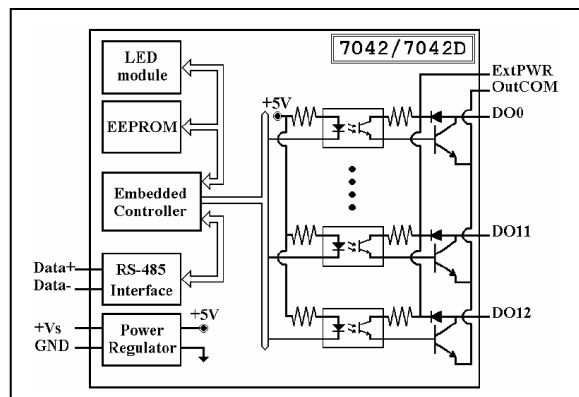
Digital Output

- Channels: 13 isolated O.C. channels
- Open collector to 30V max.
- Output current: 100mA per channel
- Direct drive power relay module
- Isolation voltage: 3750Vrms

Features/Benefits

- 13 digital input channels
- LED indication
- Isolation up to 3750V
- Software calibration
- Dual watchdog

Block Diagram



PIN Assignments

DO10	1	20	DO9
DO11			DO8
DO12			DO7
Ext.PWR			DO6
Out COM			DO5
Init*			DO4
(Y)DATA+			DO3
(G)DATA-			DO2
(R)+Vs			DO1
(B)GND	10	11	DO0

LED Indication (Only for I-7042D)

RS-485 Connector

Asynchronous 2-wire half-duplex
 Pluggable terminal block: Pitch 5.08mm

Baud Rate

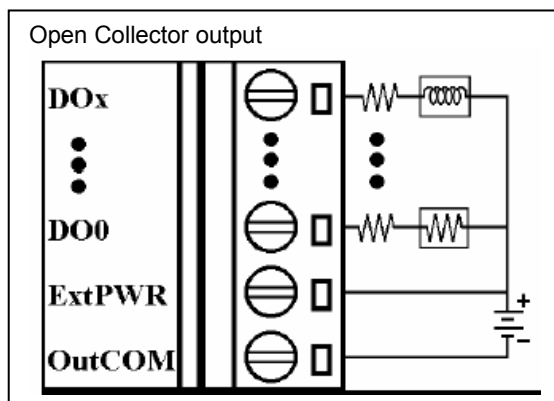
1.2K/2.4K/4.8K/9.6K/19.2K/38.4K/57.6K/115.2K bps

International Headquarters:

B & B Electronics Mfg. Co. 707 Dayton Road P.O. Box 1040 Ottawa, IL 61350 USA
 815-433-5100 Fax 433-5104 www.bb-elec.com orders@bb-elec.com support@bb-elec.com

B & B Electronics Ltd Westlink Commercial Park Oranmore Co. Galway Ireland
 +353 91 792444 Fax +353 91 792445 www.bb-europe.com orders@bb-elec.com support@bb-europe.com

Wire Connection



Power Requirements

Power input: +10 to +30VDC input

Power Consumption

1.0Watt for I-7042

1.0Watt for I-7042D

Environmental

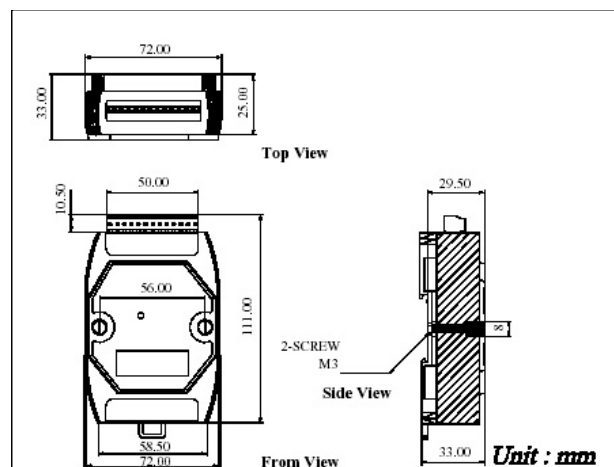
Storage temperature: -25 to 80°C (-13 to 176 °F)

Operation temperature: -20 to 75°C (-4 to 167 °F)

Humidity: 5 to 95%, non-condensing

Dimensions LxWxH: 120 x 72 x 33 cm
47.2 x 28.4 x 13.0 in

Certification: CE



International Headquarters:

B & B Electronics Mfg. Co. 707 Dayton Road P.O. Box 1040 Ottawa, IL 61350 USA
815-433-5100 Fax 433-5104 www.bb-elec.com orders@bb-elec.com support@bb-elec.com

B & B Electronics Ltd Westlink Commercial Park Oranmore Co. Galway Ireland
+353 91 792444 Fax +353 91 792445 www.bb-europe.com orders@bb-elec.com support@bb-europe.com