



Models: I-7041, I-7041D
14-Channel Isolated Digital Input Module
with LED Display (I-7041D)

I-7000 is a family of network data acquisition and control modules providing analog to digital, digital to analog, digital input/output, timer/counter and other functions. The modules can be remotely controlled by a set of commands.

The digital input/output modules support TTL signal, photo-isolated digital input, relay contact output, solid-state relay output, PhotoMOS output and open-collector output.

The I-7041 is a 14-channel digital input module with 3750V optical isolation. The isolated channels prevent the damage with common power type.

The I-7041D is the I-7041 with LED display.

Specifications

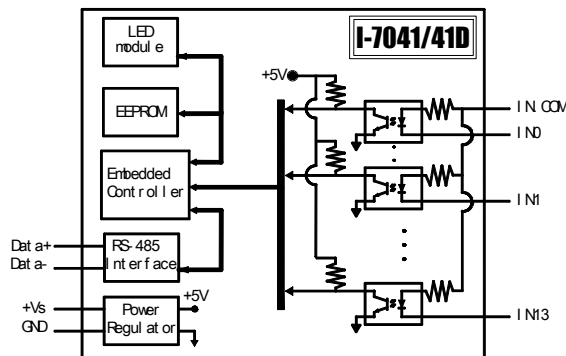
Digital Input

- Channels: 14 isolated channels with common power
- Digital input level
 Logic level 0: +1V max.
 Logic level 1: +3.5V - 30V
 Isolation voltage: 3750V
 Input impedance: 3K Ohms, 0.5W
- D/I can be used as counter channels: 16
 Input frequency: 100Hz
 16-bit: 0~65,535

Features/Benefits

- 14 digital input channels
- LED indication
- Isolation up to 3750V
- Software calibration
- Dual watchdog

Block Diagram



PIN Assignments

| | | | |
|----------|----|----|-----|
| IN10 | 1 | 20 | IN9 |
| IN11 | | | IN8 |
| IN12 | | | IN7 |
| IN13 | | | IN6 |
| IN.COM | | | IN5 |
| Init* | | | IN4 |
| (Y)DATA+ | | | IN3 |
| (G)DATA- | | | IN2 |
| (R)+Vs | | | IN1 |
| (B)GND | 10 | 11 | INO |

LED Indication (Only for I-7041D)

RS-485 Connector

Asynchronous 2-wire half-duplex
 Pluggable terminal block: Pitch 5.08mm

Baud Rate

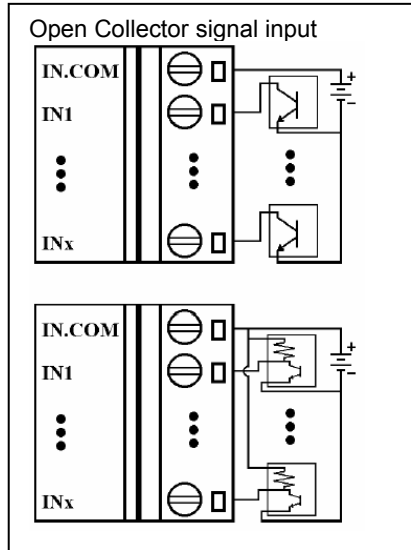
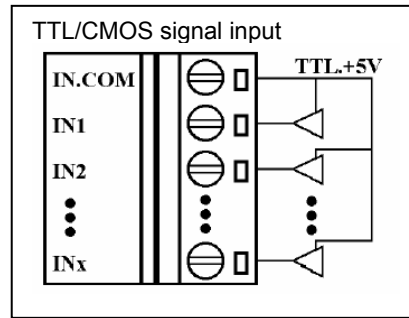
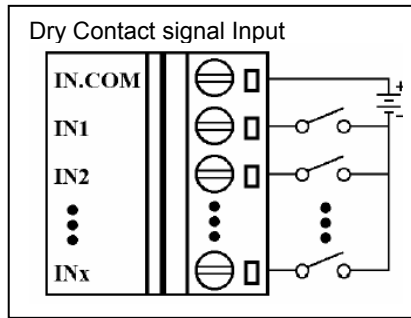
1.2K/2.4K/4.8K/9.6K/19.2K/38.4K/57.6K/115.2K bps

International Headquarters:

B & B Electronics Mfg. Co. 707 Dayton Road P.O. Box 1040 Ottawa, IL 61350 USA
 815-433-5100 Fax 433-5104 www.bb-elec.com orders@bb-elec.com support@bb-elec.com

B & B Electronics Ltd Westlink Commercial Park Oranmore Co. Galway Ireland
 +353 91 792444 Fax +353 91 792445 www.bb-europe.com orders@bb-elec.com support@bb-europe.com

Wire Connection



Power Requirements

Power input: +10 to +30VDC input

Power Consumption

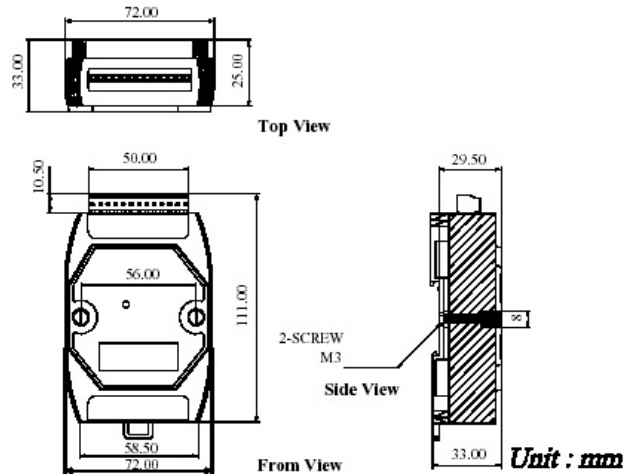
0.2Watt for I-7041
0.9Watt for I-7041D

Environmental

Storage temperature: -25 to 80°C (-13 to 176 °F)
Operation temperature: -20 to 75°C (-4 to 167 °F)
Humidity: 5 to 95%, non-condensing

Dimensions LxWxH: 120 x 72 x 33 cm
47.2 x 28.4 x 13.0 in

Certification: CE



International Headquarters:

B & B Electronics Mfg. Co. 707 Dayton Road P.O. Box 1040 Ottawa, IL 61350 USA
815-433-5100 Fax 433-5104 www.bb-elec.com orders@bb-elec.com support@bb-elec.com

B & B Electronics Ltd Westlink Commercial Park Oranmore Co. Galway Ireland
+353 91 792444 Fax +353 91 792445 www.bb-europe.com orders@bb-elec.com support@bb-europe.com