

EIR203 Series Quick Start Guide

QUICK START GUIDE

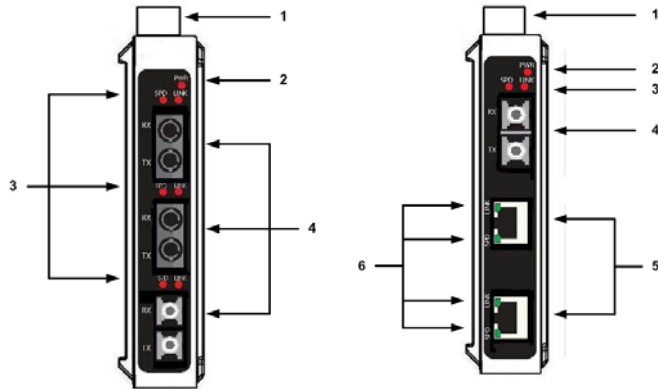
B&B ELECTRONICS

Package Contents

- EIR203 Series Industrial, Unmanaged, Ethernet Switch
- Quick Start Guide (One per shipment)
- Power Terminal Block (installed)
- Fiber Optic Dust Covers (installed on fiber optic models)

If any item is missing or damaged, contact B&B Electronics for a replacement

Front Panel



EIR203 (3 Fiber)

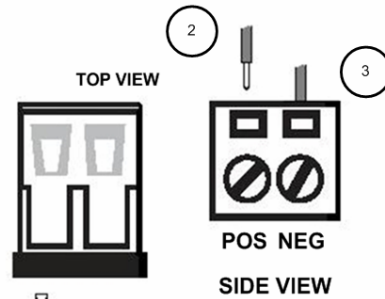
EIR203 (1 Fiber, 2 RJ-45)

| | | |
|---|----------------------|---|
| 1 | Power Terminal Block | 2 Position, Removable |
| 2 | PWR LED | ON When Power Applied |
| 3 | Fiber Optic SPD LED | Normally OFF (100BaseFx) |
| 3 | Fiber Optic LINK LED | ON When Fiber Port Linked |
| 4 | Fiber Ports | Number and type depends on Model |
| 5 | RJ45 Ports | Number depends on model |
| 6 | RJ45 LINK LED | On when RJ45 Port Linked Flashes When Data Transmitted |
| 6 | RJ45 SPD LED | On if 100 mbps |

Attach Power Leads External Supply Required

Power input: 10 to 48 VDC, 3.8W maximum, Class 2

Surrounding Air Ambient Temperature: 0 to 60° C

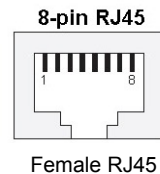


- One Conductor Per Terminal
- Use Copper Wire Only
- Wire Size: 28 to 16 AWG
- Tightening Torque: 5 KG -CM
- Wire Temperature Rating: 105°C Minimum (Sized for 60° C ampacity)

1. Loosen the screw to open the terminal block lead clamp.
2. Insert the power lead. TB will accept 16-28 AWG wire.
3. Tighten the screw to close the terminal block lead clamp. Ensure the clamp holds the lead securely. However, do not over tighten.

NOTE: For Replacement Terminal Block Order Part #7444.

Attach RJ45 Cable (If equipped)



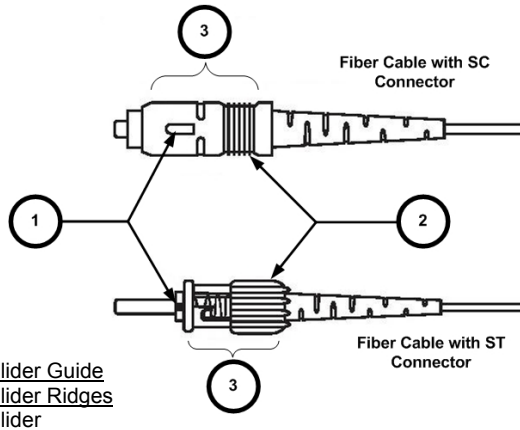
Female RJ45

1. Auto MDI/MDI-x is supported. A straight through or cross-over cable may be used.
2. 10/100BaseT auto negotiation and full/half-duplex are supported.

| MDI Cable Pinout | Pin | Signal |
|------------------|-----|--------|
| | 1 | Tx+ |
| | 2 | Tx- |
| | 3 | Rx+ |
| | 6 | Rx- |

| MDI-X Cable Pinout | Pin | Signal |
|--------------------|-----|--------|
| | 1 | Rx+ |
| | 2 | Rx- |
| | 3 | Tx+ |
| | 6 | Tx- |

Attach Fiber Optic Cable (if equipped)



1. Slider Guide
2. Slider Ridges
3. Slider

1. Ensure your fiber optic cable is terminated with the correct connector type. EIR203 switches use SC or ST connectors.
2. Fiber optic type for each port is located on the product's side label. When connecting the cable to the switch, be sure to line up the slider guide on the cable and switch connectors.
3. Connect the fiber optic transmitter to the downstream device's receiver and vice-versa.

Fiber Optic Cable Information

| Mode and Distance | Type | Wavelength |
|---------------------|------------------------|------------|
| Multi-mode (2 km) | 62.5/125 μm | 1310 nm |
| Single-mode (15 km) | 9/125 μm | 1310 nm |
| Single-mode (40 km) | 9/125 μm | 1310 nm |
| Single-mode (80 km) | 9/125 μm | 1550 nm |

| | Output Power | RCVR Sensitivity |
|---------------------|----------------|------------------|
| Multi-mode (2 km) | -19 to -14 dBm | ≤ -32 dBm |
| Single-mode (15 km) | -15 to -8 dBm | ≤ -32 dBm |
| Single-mode (40 km) | -5 to 0 dBm | ≤ -34 dBm |
| Single-mode (80 km) | -5 to 0 dBm | ≤ -34 dBm |

Installation Complete

1. When the network cables are attached and power is applied, installation is complete.
2. The switch will automatically discover network devices, populate its MAC address table, and pass traffic to the appropriate ports.

Mechanical Diagram

