

Quick Start Guide

DR19RMKT Adjustable DIN Rail 19 Inch Rack Mount Kit

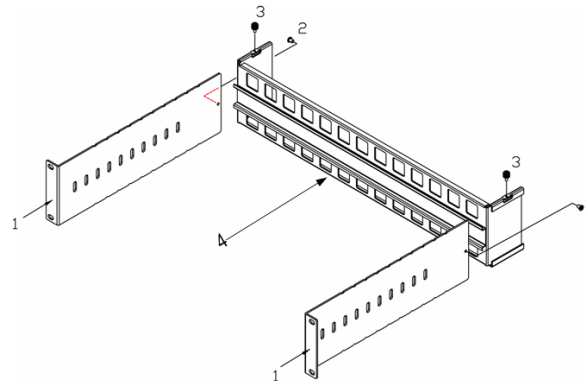


The DR19RMKT has 10 notches spaced in 20mm (.8") increments which will accommodate devices from 25mm (1") to 205mm (8") in depth.

Constructed of heavy-duty cold-rolled steel, the rack contains one 35mm DIN rail track.

Overall dimensions are (W x D x H): 464mm (18.3") x 105mm (4.1") x 285mm (11.2")

1 Items Included



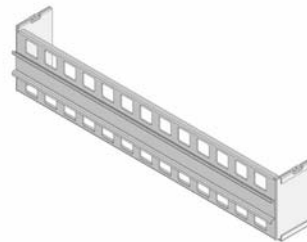
1. Qty-2, Rackmount Chassis Holder



2. Qty-2, M4x5 Flathead Screw



3. Qty-2, M3x6 Screw



4. Qty-1, Rackmount DIN-Rail Chassis

2 Hardware Installation

- Slide the Rackmount Chassis Holders (1) into the guide rails on two sides of the Rackmount DIN-Rail Chassis (4) and adjust the Rackmount Chassis Holders (1) to appropriate position.
- Use screwdriver to fasten the M4x5 Flathead Screws (2) to the Rackmount Chassis Holders (1) to prevent the Rackmount Chassis Holders (1) from falling off the Rackmount DIN-Rail Chassis (4).
- Push backward or pull forward the Rackmount Chassis Holders (1) along the guide rails on two sides of the Rackmount DIN-Rail Chassis (4) to adjust the depth of the Adjustable Rack and offer flexible space for fitting in DIN-rail mountable equipment. Use screwdriver to fasten the M3x6 Screws (3) to the Rackmount DIN-Rail Chassis (4). Please make sure the Rackmount Chassis Holders (1) and the Rackmount DIN-Rail Chassis (4) are securely assembled.
- Slide the Adjustable Rack into the standard 19" rack cabinet. Then use screwdriver and four screws (not included) to attach the Adjustable Rack to the standard 19" rack cabinet.