



AM Series Pushbutton Enclosures: Inline Lift-Off Screw Cover

A P P L I C A T I O N

- Designed to insulate and house pushbuttons and switches in applications that require a human-machine interface
- Especially well suited for high temperature or corrosive environments
- Protects from dirt, dust, oil and water
- For use with industrial control equipment in ordinary locations

S T A N D A R D S

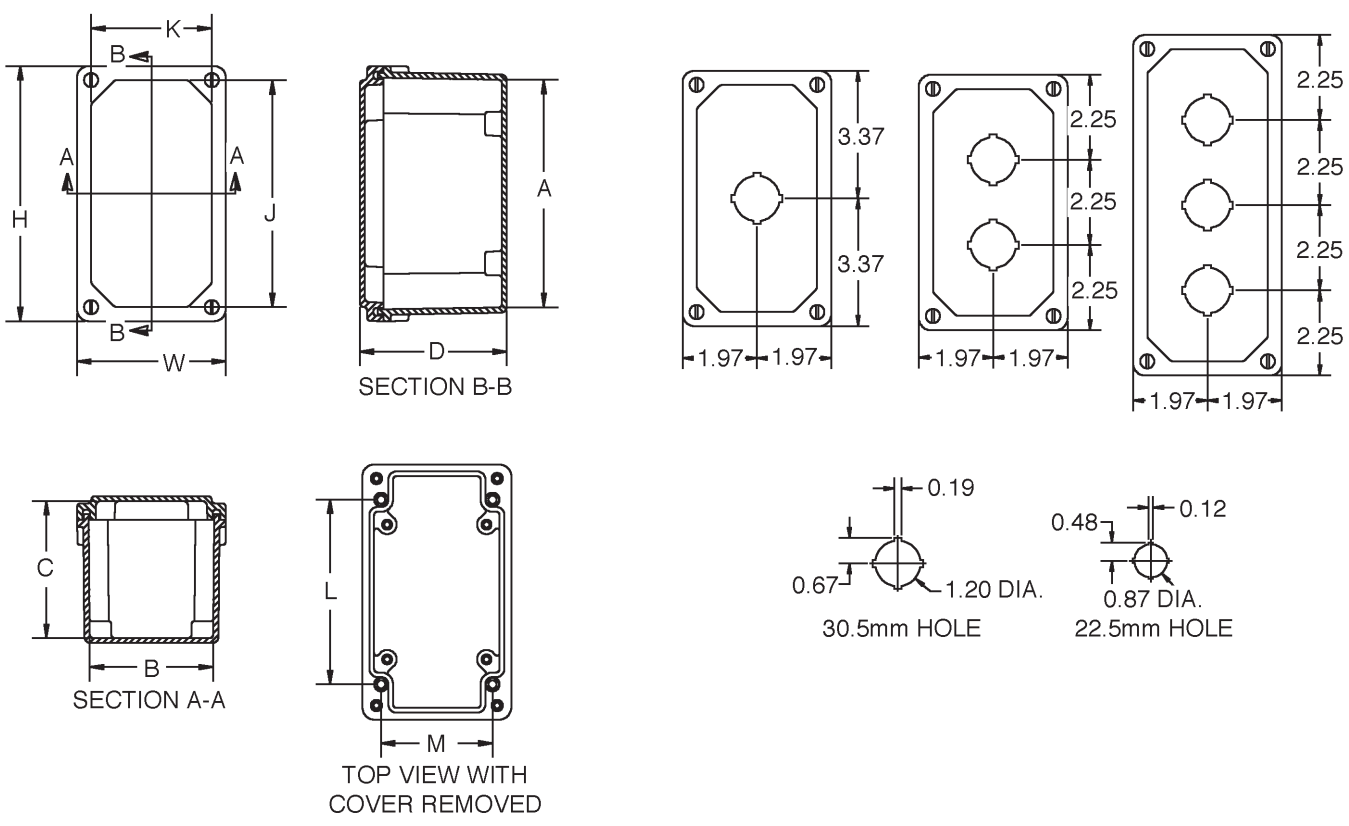
- Construction meets NEMA/EEMAC Type 4, 4X, 12 specifications
- UL 508 listed, Type 1, 2, 3, 3R, 4, 4X, 12, 13
- CSA certified LR 89590 for use with industrial control equipment CSA Enc. 1, 2, 3, 4, 4X, 12, 13

C O N S T R U C T I O N

- Rugged, molded fiberglass reinforced polyester construction with reinforced corners
- Available with either 30.5mm or 22.5mm holes
- 304 stainless steel captive cover screws
- “Tongue and groove” type closed-cell neoprene gasket
- Grounding strap included
- UV stabilized for outdoor use

M O D I F I C A T I O N S

- Molded-in color matches
- EMI/RFI shielding
- Factory-supplied silk screening



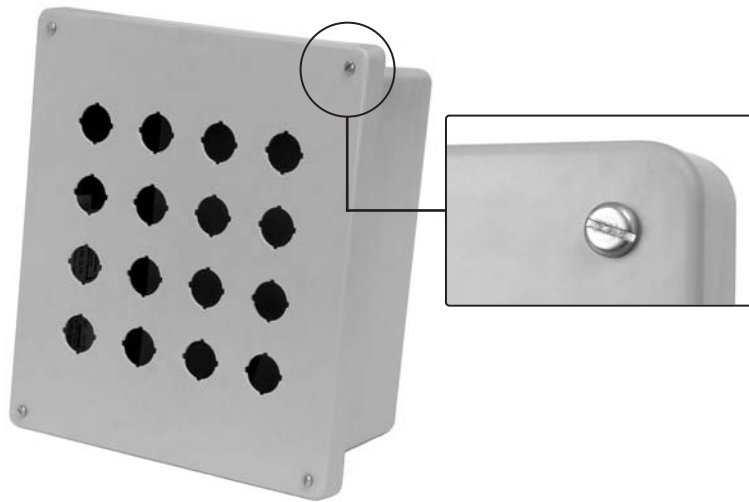
Part No.	Overall			Inside							Holes	Size
	H	W	D	A	B	C	J	K	L	M		
AM1PB	6.74	3.93	3.88	6.01	3.26	3.63	6.13	3.31	4.88	2.94	1	30.5mm
AM1PB22	6.74	3.93	3.88	6.01	3.26	3.63	6.13	3.31	4.88	2.94	1	22.5mm
AM2PB	6.74	3.93	3.88	6.01	3.26	3.63	6.13	3.31	4.88	2.94	2	30.5mm
AM2PB22	6.74	3.93	3.88	6.01	3.26	3.63	6.13	3.31	4.88	2.94	2	22.5mm
AM3PB	8.99	3.93	3.88	8.26	3.26	3.63	8.31	3.31	7.13	2.94	3	30.5mm
AM3PB22	8.99	3.93	3.88	8.26	3.26	3.63	8.31	3.31	7.13	2.94	3	22.5mm

All dimensions in inches.

Secure online ordering 24/7/365 from

BB electronics
MANUFACTURING COMPANY
www.bb-electronics.com





AM Series Pushbutton Enclosures: Multi-Hole Lift-Off Screw Cover

A P P L I C A T I O N

- Designed to insulate and house pushbuttons and switches in applications that require a human-machine interface
- Especially well suited for high temperature or corrosive environments
- Protects from dirt, dust, oil and water
- For use with industrial control equipment in ordinary locations

S T A N D A R D S

- Construction meets NEMA/EEMAC Type 4, 4X, 12 specifications
- UL 508 listed, Type 1, 2, 3, 3R, 4, 4X, 12, 13
- CSA certified LR 89590 for use with industrial control equipment CSA Enc. 1, 2, 3, 4, 4X, 12, 13

C O N S T R U C T I O N

- Constructed to requirements of CSA Enc. 5 based on standard component cutout
- Strong, molded fiberglass reinforced polyester construction
- 304 stainless steel captive cover screws
- Gasket made of closed cell neoprene cord encased in a continuous channel
- 304 stainless steel wall mounting feet with 10-32 stainless steel screws included
- 10-32 threaded inserts are installed for optional back panel
- UV stabilized for outdoor use

A C C E S S O R I E S

- Optional painted carbon steel back panels (See table on pages 64-65.)
- Optional aluminum back panels (See table on pages 64-65.)

M O D I F I C A T I O N S

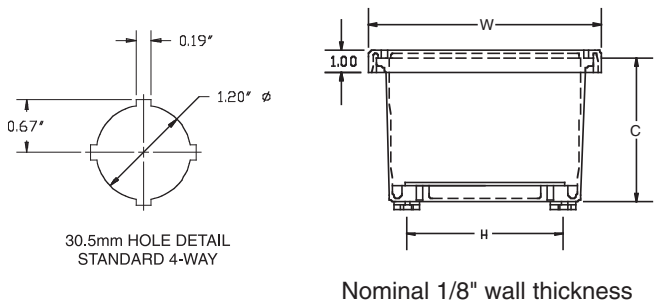
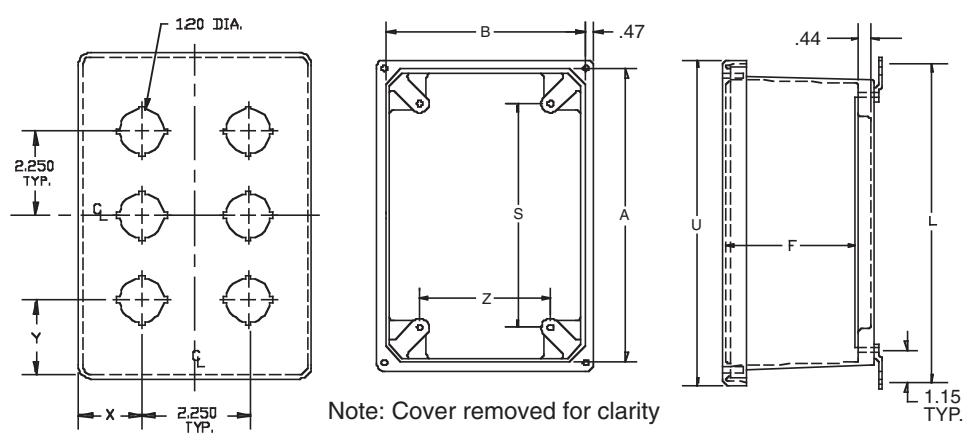
- Molded-in color matches
- EMI/RFI shielding
- Factory-supplied silk screening

Secure online
ordering
24/7/365 from

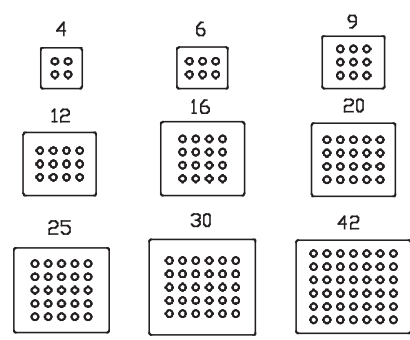
B&B electronics
MANUFACTURING COMPANY

International Headquarters: 707 Dayton Road - PO Box 1040 - Ottawa, IL 61350 USA
815-433-5100 Fax 815-433-5104 www.bb-elec.com orders@bb-elec.com support@bb-elec.com

European Headquarters: Westlink Commercial Park - Oranmore Co. Galway - Ireland
+353 91 792444 Fax +353 91 792445 www.bb-europe.com orders@bb-europe.com support@bb-europe.com

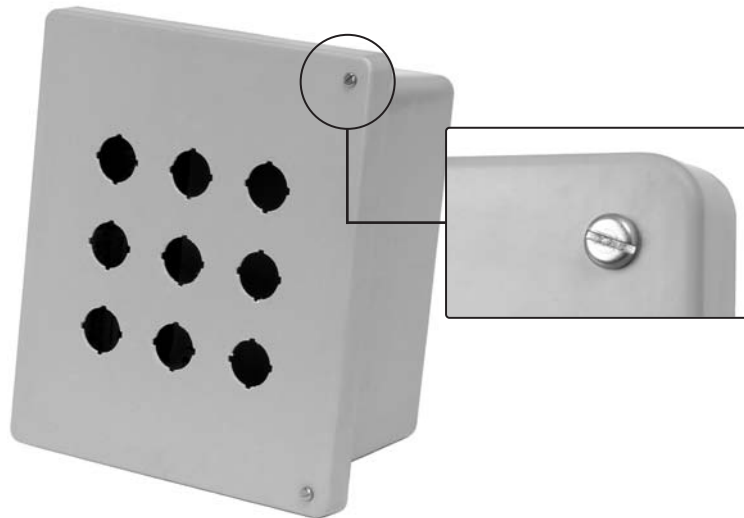


Pushbutton Arrangements



Part No.	Box Size			F	Centers				Cover Dim.		No. of Holes	X	Y
	A	B	C		H	S	Z	L	U	W			
AM664P4	6.10	6.10	4.18	3.76	5.01	4.25	4.25	7.32	7.69	7.69	4	2.72	2.72
AM864P6	8.00	6.12	4.13	3.68	5.01	6.25	4.25	9.19	9.59	7.71	6	2.73	2.55
AM1084P9	10.13	8.26	4.13	3.68	7.01	8.25	6.25	11.19	11.77	9.90	9	2.68	3.62
AM1086P9	10.13	8.26	6.13	5.68	7.01	8.25	6.25	11.19	11.77	9.90	9	2.68	3.62
AM1086P12	10.13	8.26	6.13	5.68	7.01	8.25	6.25	11.19	11.77	9.90	12	2.68	2.49
AM1206P16	12.13	10.26	6.13	5.68	9.01	10.25	8.25	13.19	13.77	11.90	16	2.55	3.49
AM1206P20	12.13	10.26	6.13	5.68	9.01	10.25	8.25	13.19	13.77	11.90	20	2.55	2.37
AM1426P25	14.13	12.26	6.13	5.68	11.01	12.25	10.25	15.19	15.73	13.85	25	2.43	3.37
AM1648P30	16.27	14.40	8.13	7.68	13.01	14.25	12.25	17.19	17.87	15.99	30	3.50	3.31
AM1868P42	18.40	16.40	8.13	7.68	14.97	16.25	14.25	19.28	20.00	18.00	42	3.38	3.25

All dimensions in inches



AM Series Pushbutton Enclosures: Multi-Hole Hinged Screw Cover

A P P L I C A T I O N

- Designed to insulate and house pushbuttons and switches in applications that require a human-machine interface
- Especially well suited for high temperature or corrosive environments
- Protects from dirt, dust, oil and water
- For use with industrial control equipment in ordinary locations

S T A N D A R D S

- Construction meets NEMA/EEMAC Type 4, 4X, 12 specifications
- UL 508 listed, Type 1, 2, 3, 3R, 4, 4X, 12, 13
- CSA certified LR 89590 for use with industrial control equipment CSA Enc. 1, 2, 3, 4, 4X, 12, 13

C O N S T R U C T I O N

- Constructed to requirements of CSA Enc. 5 based on standard component cutout
- Strong, molded fiberglass reinforced polyester construction
- 304 stainless steel captive cover screws
- Continuous stainless steel hinge
- Gasket made of closed cell neoprene cord encased in a continuous channel
- 304 stainless steel wall mounting feet with 10-32 stainless steel screws included
- 10-32 threaded inserts are installed for optional back panel
- UV stabilized for outdoor use

A C C E S S O R I E S

- Optional painted carbon steel back panels (See table on pages 64-65.)
- Optional aluminum back panels (See table on pages 64-65.)

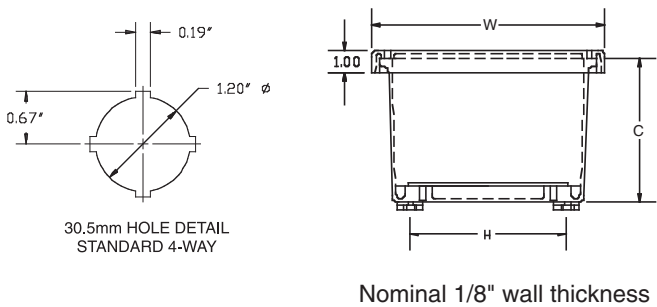
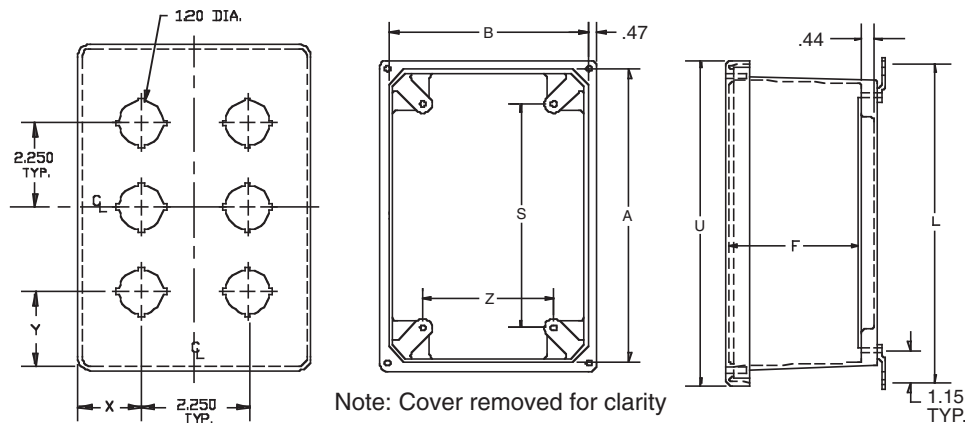
M O D I F I C A T I O N S

- Molded-in color matches
- EMI/RFI shielding
- Factory-supplied silk screening

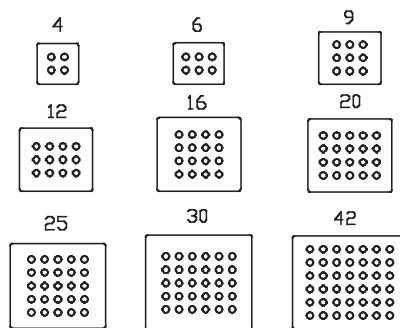
Secure online
ordering
24/7/365 from

B & B electronics
MANUFACTURING COMPANY

International Headquarters: 707 Dayton Road - PO Box 1040 - Ottawa, IL 61350 USA
815-433-5100 Fax 815-433-5104 www.bb-elec.com orders@bb-elec.com support@bb-elec.com
European Headquarters: Westlink Commercial Park - Oranmore Co. Galway - Ireland
+353 91 792444 Fax +353 91 792445 www.bb-europe.com orders@bb-europe.com support@bb-europe.com



Pushbutton Arrangements



Part No.	Box Size				Centers				Cover Dim.		No. of Holes	X	Y
	A	B	C	F	H	S	Z	L	U	W			
AM664HP4	6.10	6.10	4.18	3.78	5.01	4.25	4.25	7.35	7.69	7.69	4	2.72	2.72
AM864HP6	8.00	6.13	4.13	3.73	5.01	6.25	4.25	9.23	9.59	7.71	6	2.73	2.55
AM1084HP9	10.13	8.26	4.13	3.68	7.01	8.25	6.25	11.19	11.77	9.90	9	2.68	3.62
AM1086HP9	10.13	8.26	6.13	5.70	7.01	8.25	6.25	11.19	11.77	9.90	9	2.68	3.62
AM1086HP12	10.13	8.26	6.13	5.70	7.01	8.25	6.25	11.19	11.77	9.90	12	2.68	2.49
AM1206HP16	12.13	10.26	6.13	5.70	9.01	10.25	8.25	13.23	13.77	11.90	16	2.55	3.49
AM1206HP20	12.13	10.26	6.13	5.70	9.01	10.25	8.25	13.23	13.77	11.90	20	2.55	2.37
AM1426HP25	14.13	12.26	6.13	5.73	11.01	12.25	10.25	15.23	15.73	13.85	25	2.43	2.37
AM1648HP30	16.27	14.40	8.13	7.70	13.01	14.25	12.25	17.23	17.87	15.99	30	3.50	3.31
AM1868HP42	18.40	16.40	8.13	7.70	14.97	16.25	14.25	19.31	20.00	18.00	42	3.38	3.25

All dimensions in inches

Secure online ordering 24/7/365 from



www.bb-electronics.com

