



8" x 6" x 4"

A P P L I C A T I O N

- Designed to insulate and protect controls and components in both indoor and outdoor applications often found in oil refineries, waste water treatment equipment, and chemical plants
- Especially well suited for high temperature or corrosive environments
- Protects from dirt, dust, oil, and water
- For use with industrial control equipment in ordinary locations
- Clear/polycarbonate, instrumentation cover used in applications where critical electronic equipment must be visible and protected from the elements

S T A N D A R D S

- Construction meets NEMA/EEMAC Type 4, 4X, 12 Specifications
- UL® 508 and UL® 50 listed, Type 1, 2, 3, 3R, 4, 4X, 12, 13
- CSA certified file LR 89590-1
- Enclosure flammability rating per UL® 508
- Joint Industrial Council (JIC) enclosure sizing
- Compliant with RoHS directive

C O N S T R U C T I O N

- Compression molded fiberglass reinforced polyester construction with flush, solid/opaque cover
- Allied Moulded Ultraguard™ fiberglass reinforced polyester material formulation
 - UV stabilized for outdoor use
- Light gray color (RAL 7035)
- Clear, polycarbonate instrumentation cover
- 304 stainless steel captive cover screws, lockable latches, and hinge pin
- Partially molded hinge and molded latch keeper
- Gasket made of closed cell neoprene cord encased in a continuous tongue and groove channel
- Polycarbonate flanges (installed) and mounting feet (bagged) with four 304 stainless steel screws
- 10-32 threaded brass inserts are installed for back panel mounting

Ordering Part Numbers

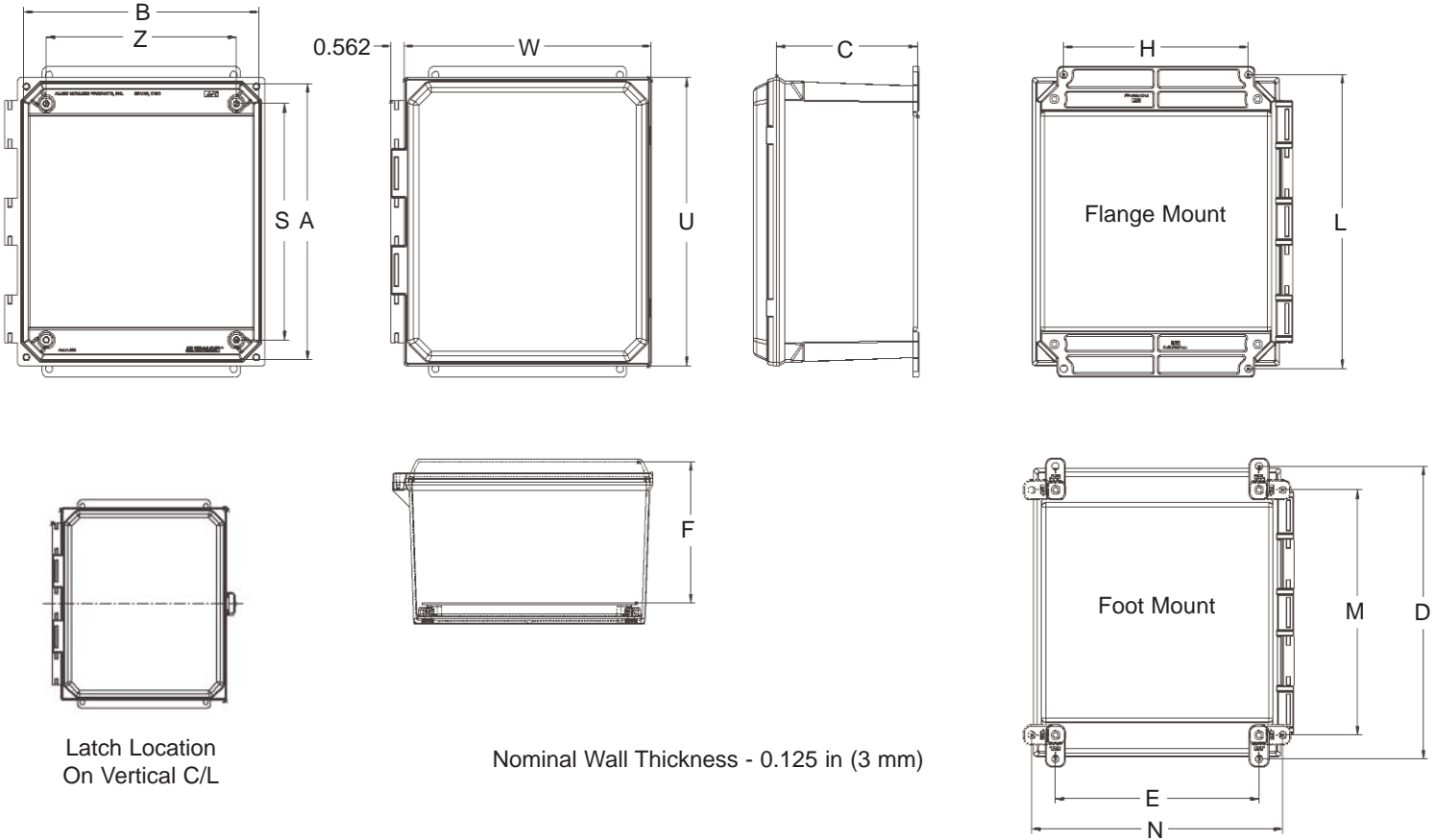
- Flange mount enclosures (flanges installed)

	Screw Cover	Hinged Screw Cover	Hinged Snap Latch	Hinged Twist Latch
Solid/Opaque	AMU864F	AMU864HF	AMU864LF	AMU864TF
Clear Cover	AMU864CCF	AMU864CCHF	AMU864CCLF	AMU864CCTF
View Window	AMU864WF	AMU864HWF	AMU864LWF	AMU864TWF

- Foot mount enclosures (four feet bagged and shipped inside enclosure)

	Screw Cover	Hinged Screw Cover	Hinged Snap Latch	Hinged Twist Latch
Solid/Opaque	AMU864	AMU864H	AMU864L	AMU864T
Clear Cover	AMU864CC	AMU864CCH	AMU864CCL	AMU864CCT
View Window	AMU864W	AMU864HW	AMU864LW	AMU864TW

AMU864, NEMA Type 4X, Fiberglass Reinforced Polyester Enclosure



Enclosure Size	Usable Depth	Cover	Panel Boss	Flange Mount
----------------	--------------	-------	------------	--------------

Flange Mount	A	B	C	F	W	U	S	Z	H	L
AMU864F	8.05	6.27	4.13	4.11	6.72	8.50	6.25	4.25	4.00	8.88 8.75
	204 mm	159 mm	105 mm	104 mm	171 mm	216 mm	159 mm	108 mm	102 mm	226 mm 222mm

Enclosure Size	Usable Depth	Cover	Panel Boss	Vert. Foot Mount	Horiz. Foot Mount
----------------	--------------	-------	------------	------------------	-------------------

Foot Mount	A	B	C	F	W	U	S	Z	D	E	M	N
AMU864	8.05	6.27	4.13	4.11	6.72	8.50	6.25	4.25	8.75	4.91	6.69	6.97
	204 mm	159 mm	105 mm	104 mm	171 mm	216 mm	159 mm	108 mm	222 mm	125 mm	170 mm	177 mm

Optional Viewing Window Dimension (Centered in Cover): 4.25 in (108 mm) x 4.25 in (108 mm)

ACCESSORIES

- Enclosure back panels
 - P86 white painted carbon steel
 - PA86 aluminum
 - PF86 fiberglass reinforced polyester



- Enclosure hinged dead front panel
 - HFPU86 aluminum (field installable kit)



222 North Union Street • Bryan, Ohio 43506
 (419) 636-4217 • Fax (419) 636-2450
<http://enclosures.alliedmoulded.com>



ALLIED
 MOULDED
 PRODUCTS, Inc.