



From Allied Moulded Products 



16" x 14" x 8"

A P P L I C A T I O N

- Designed to insulate and protect controls and components in both indoor and outdoor applications often found in oil refineries, waste water treatment equipment, and chemical plants
- Especially well suited for high temperature or corrosive environments
- Protects from dirt, dust, oil, and water
- For use with industrial control equipment in ordinary locations
- Clear/polycarbonate, instrumentation cover used in applications where critical electronic equipment must be visible and protected from the elements

S T A N D A R D S

- Construction meets NEMA/EEMAC Type 4, 4X, 12 Specifications
- UL® 508 and UL® 50 listed, Type 1, 2, 3, 3R, 4, 4X, 12, 13
- CSA certified file LR 89590-1
- Enclosure flammability rating per UL® 508
- Joint Industrial Council (JIC) enclosure sizing
- Compliant with RoHS directive

C O N S T R U C T I O N

- Compression molded fiberglass reinforced polyester construction with flush, solid/opaque cover
- Allied Moulded Ultraguard® fiberglass reinforced polyester material formulation
 - UV stabilized for outdoor use
- Light gray color (RAL 7035)
- Clear, polycarbonate instrumentation cover
- 304 stainless steel captive cover screws, lockable latches, and hinge pin
- Partially molded hinge and molded latch keeper
- Gasket made of closed cell neoprene cord encased in a continuous tongue and groove channel
- Polycarbonate flanges (installed) and mounting feet (bagged) with four 304 stainless steel screws
- 10-32 threaded brass inserts are installed for back panel mounting

Ordering Part Numbers

- Flange mount enclosures (flanges installed)

	Screw Cover	Hinged Screw Cover	Hinged Snap Latch	Hinged Twist Latch
Solid/Opaque	AMU1648F	AMU1648HF	AMU1648LF	AMU1648TF
Clear Cover	AMU1648CCF	AMU1648CCHF	AMU1648CCLF	AMU1648CCTF
View Window	AMU1648WF	AMU1648HWF	AMU1648LWF	AMU1648TWF

- Foot mount enclosures (four feet bagged and shipped inside enclosure)

	Screw Cover	Hinged Screw Cover	Hinged Snap Latch	Hinged Twist Latch
Solid/Opaque	AMU1648	AMU1648H	AMU1648L	AMU1648T
Clear Cover	AMU1648CC	AMU1648CCH	AMU1648CCL	AMU1648CCT
View Window	AMU1648W	AMU1648HW	AMU1648LW	AMU1648TW

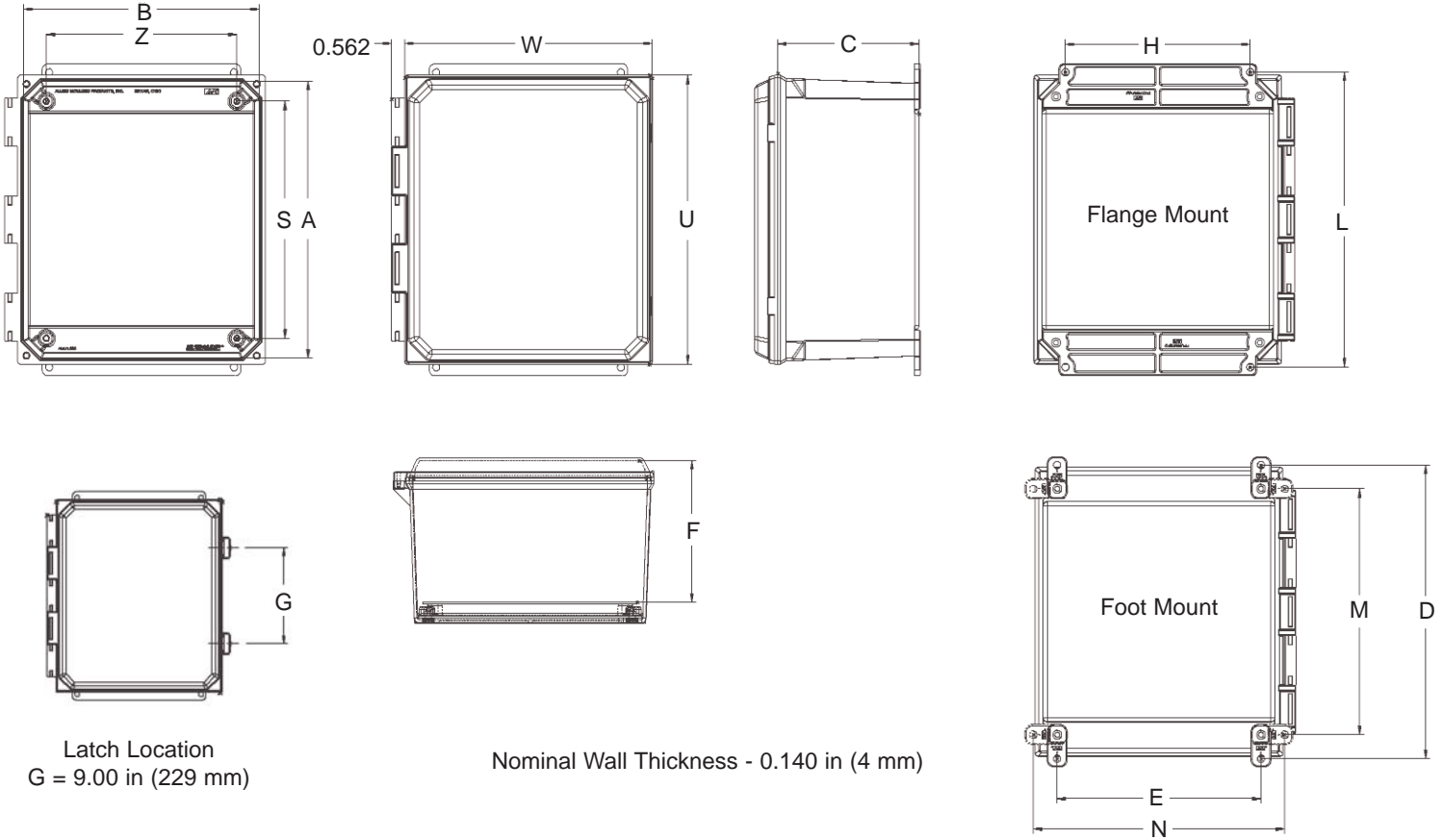


222 North Union Street • Bryan, Ohio 43506
 (419) 636-4217 • Fax (419) 636-2450
<http://enclosures.alliedmoulded.com>



ALLIED MOULDED PRODUCTS, Inc.

AMU1648, NEMA Type 4X, Fiberglass Reinforced Polyester Enclosure



Enclosure Size	Usable Depth	Cover	Panel Boss	Flange Mount
----------------	--------------	-------	------------	--------------

Flange Mount	A	B	C	F	W	U	S	Z	H	L
AMU1648F	16.05	14.27	8.13	8.11	14.72	16.50	14.25	12.25	12.00	16.75
	408 mm	362 mm	207 mm	206 mm	374 mm	419 mm	362 mm	311 mm	305 mm	425 mm

Enclosure Size	Usable Depth	Cover	Panel Boss	Vert. Foot Mount	Horiz. Foot Mount
----------------	--------------	-------	------------	------------------	-------------------

Foot Mount	A	B	C	F	W	U	S	Z	D	E	M	N
AMU1648	16.05	14.27	8.13	8.11	14.72	16.50	14.25	12.25	16.91	11.47	13.50	14.88
	408 mm	362 mm	207 mm	206 mm	374 mm	419 mm	362 mm	311 mm	430 mm	291 mm	343 mm	378 mm

Optional Viewing Window Dimension (Centered in Cover): 10.50 in (267 mm) x 12.38 in (314 mm)

ACCESSORIES

- Enclosure back panels
 - P164 white painted carbon steel
 - PA164 aluminum
 - PF164 fiberglass reinforced polyester
- Enclosure hinged dead front panel
 - HFPU164 aluminum (field installable kit)



222 North Union Street • Bryan, Ohio 43506
 (419) 636-4217 • Fax (419) 636-2450
<http://enclosures.alliedmoulded.com>



ALLIED
 MOULDED
 PRODUCTS, Inc.