

AM Series Small Junction Boxes: Lift-Off Screw Cover

A P P L I C A T I O N

- Designed for use as electrical junction boxes, terminal wiring boxes, instrumentation housings and electrical control enclosures
- Especially well suited for high temperature or corrosive environments
- Protects from dirt, dust, oil and water
- For use with industrial control equipment in ordinary locations

S T A N D A R D S

- Construction meets NEMA/EEMAC Type 4, 4X, 12 specifications
- UL 508 listed, Type 1, 2, 3, 3R, 4, 4X, 12, 13
- CSA certified LR 89590 for use with industrial control equipment CSA Enc. 1, 2, 3, 4, 4X, 12, 13

C O N S T R U C T I O N

- Rugged, molded fiberglass reinforced polyester construction with reinforced corners
- Two standard sizes: 7" x 4" x 3" and 9" x 4" x 3"
- 304 Stainless steel captive cover screws and mounting feet
- "Tongue and groove" type closed-cell neoprene gasket
- Threaded inserts for optional aluminum back panel
- UV stabilized for outdoor use

A C C E S S O R I E S

- Optional aluminum back panels

M O D I F I C A T I O N S

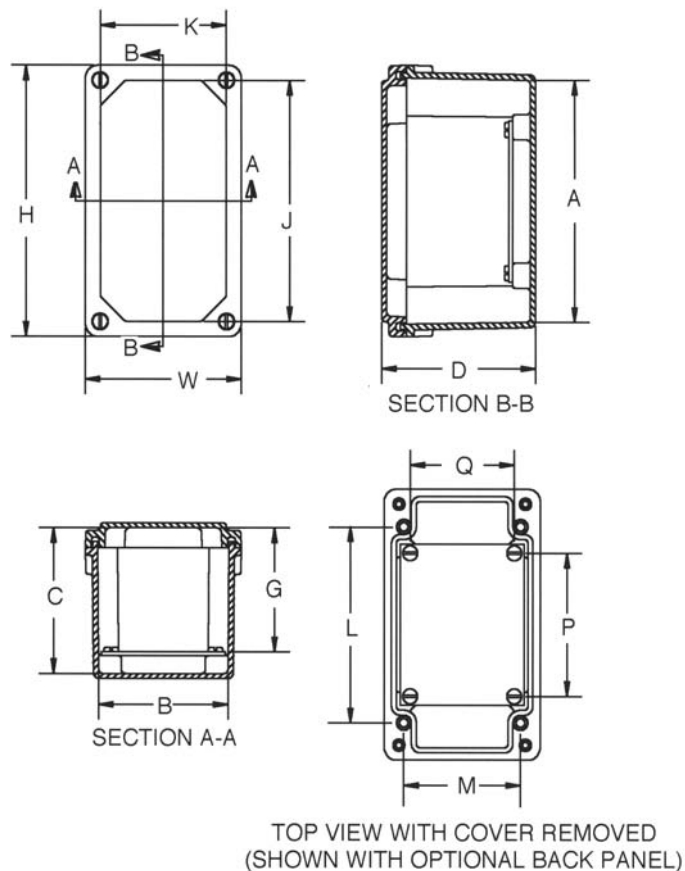
- Custom holes and cutouts
- Custom size polycarbonate viewing windows
- Molded-in color matches
- EMI/RFI shielding
- Factory-supplied silk screening

Secure online
ordering
24/7/365 from

B & B electronics
MANUFACTURING COMPANY

International Headquarters: 707 Dayton Road - PO Box 1040 - Ottawa, IL 61350 USA
815-433-5100 Fax 815-433-5104 www.bb-elec.com orders@bb-elec.com support@bb-elec.com

European Headquarters: Westlink Commercial Park - Oranmore Co. Galway - Ireland
+353 91 792444 Fax +353 91 792445 www.bb-europe.com orders@bb-europe.com support@bb-europe.com



Optional Aluminum/Fiberglass Back Panel

Part No.	Height	Width
PA74, PF74	4.00	3.13
PA94, PF94	6.25	3.13

All dimensions in inches.
Thickness; "PA" (.100) "PF" (.218)

Part No.	Overall			Inside									
	H	W	D	A	B	C	G	J	K	L	M	P	Q
AM743	6.74	3.93	3.88	6.01	3.26	3.63	3.08	6.13	3.31	4.88	2.94	3.56	2.63
AM743SF*	6.74	3.93	3.88	6.01	3.26	3.63	3.08	6.13	3.31	4.88	2.94	3.56	2.63
AM943	8.99	3.93	3.88	8.26	3.26	3.63	3.08	8.31	3.31	7.13	2.94	5.81	2.63
AM943SF*	8.99	3.93	3.88	8.26	3.26	3.63	3.08	8.31	3.31	7.13	2.94	5.81	2.63

All dimensions in inches.

*Available with or without stainless steel mounting feet. Suffix "SF" denotes box without mounting feet.

Secure online ordering 24/7/365 from



International Headquarters: 707 Dayton Road - PO Box 1040 - Ottawa, IL 61350 USA
815-433-5100 Fax 815-433-5104 www.bb-elec.com orders@bb-elec.com support@bb-elec.com

European Headquarters: Westlink Commercial Park - Oranmore Co. Galway - Ireland
+353 91 792444 Fax +353 91 792445 www.bb-europe.com orders@bb-europe.com support@bb-europe.com

