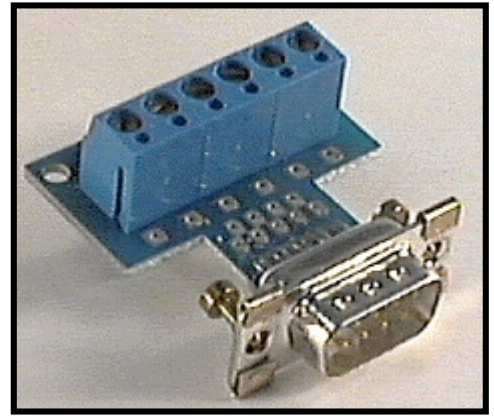
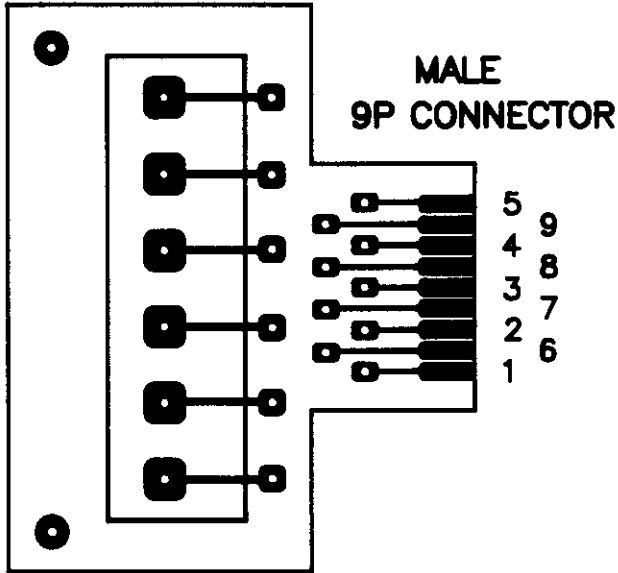


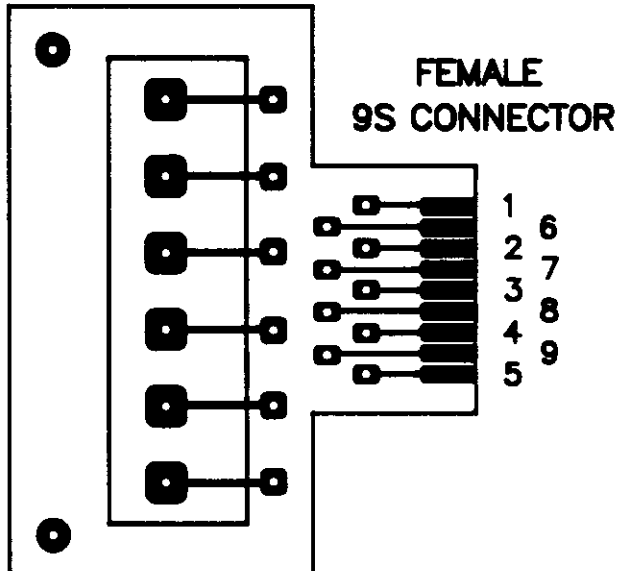
## 9 Pin to Terminal Block Jumper Box



**MODEL 9M6TBJB**



**MODEL 9F6TBJB**



© B&B Electronics

*This product designed and manufactured in USA of domestic and imported parts by*

Phone: (815) 433-5100  
Office Fax: (815) 433-5105  
Tech Fax: (815) 433-5104  
Sales Fax: (815) 433-5109

**B & B electronics**  
**MANUFACTURING COMPANY**  
707 Dayton Road -- P.O. Box 1040 -- Ottawa, IL 61350 USA

Home Page: [www.bb-elec.com](http://www.bb-elec.com)  
E-mail: [orders@bb-elec.com](mailto:orders@bb-elec.com)  
[support@bb-elec.com](mailto:support@bb-elec.com)  
[catrqst@bb-elec.com](mailto:catrqst@bb-elec.com)