

PC to Mac Printer Jumper Boxes Models 232MPJB and 9MPJB

Description:

The 232MPJB and 9MPJB, when used in conjunction with the 232MAC or 232MPC, allow Windows95 PC users to connect to an Apple serial printer with an 8-pin circular DIN connector. The 232MPJB allows the printer to connect to a DB25 PC serial port while the 9MPJB provides a 9 pin D-sub connector for going to 9 pin serial ports. For short distances up to about six feet, a 232MPC cable is available from B&B Electronics that can be used to connect to the printer. For utilizing the full distance of the RS-232 specification, an active converter like the 232MAC is necessary. See Figures 1 to 4 for typical configurations.

Connection and Setup:

The jumper boxes and cables cross all of the pins necessary to connect the PC to the printer. The jumpers should be connected in the order shown in Figures 1 to 4. Windows 95 includes drivers for many printers originally designed to be used with the Mac. Even if your exact printer is not listed, many of the drivers included will work with other printers.

To install your printer

- 1) Start the Add Printers Wizard in the printer setup folder
- 2) Click Next to start the Wizard
- 3) Select a Local Printer and click Next
- 4) Select the Apple or HP printer that is closest to the model you have and click Next
- 5) Select the COM port that you want to attach the printer
- 6) Click on Configure Port
- 7) Set the COM port for the data rate and protocol listed in the printer manual
- 8) Set the Flow Control for Hardware and click Okay
- 9) Click Next to select the port
- 10) Type a name for your printer and click Next
- 11) Select Yes or No to print a test page and click Finish



Figure 1. Distances up to 6' – 25 pin printer port

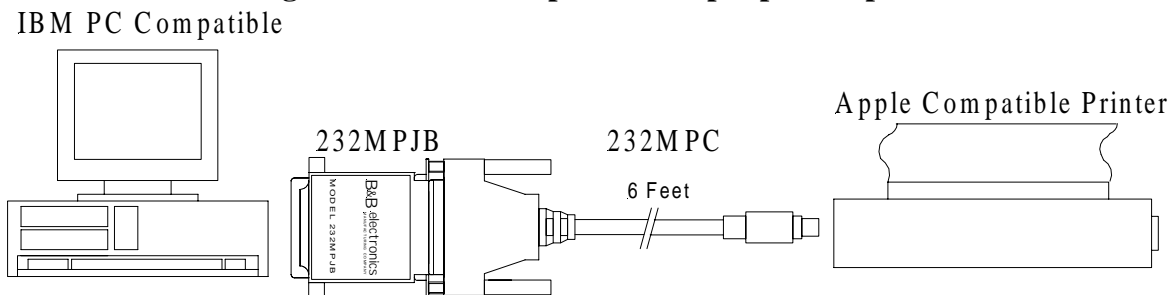
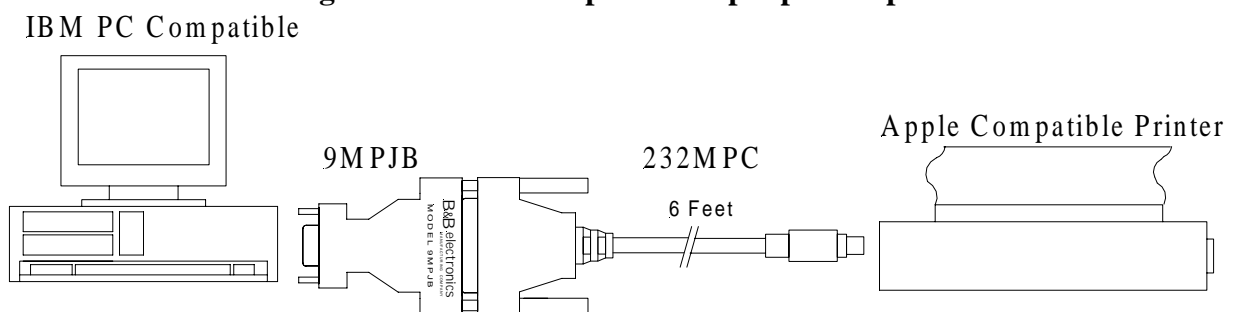


Figure 2. Distances up to 6' – 9 pin printer port



© B&B Electronics - May 1998

This product is designed and manufactured in the USA using domestic and imported parts by

B & B electronics
MANUFACTURING COMPANY

707 Dayton Road • PO Box 1040
Ottawa, IL 61350 USA
Phone: (815) 433-5100 • FAX: (815) 434-7094

Figure 3. Distances over 6' – 25 pin printer port

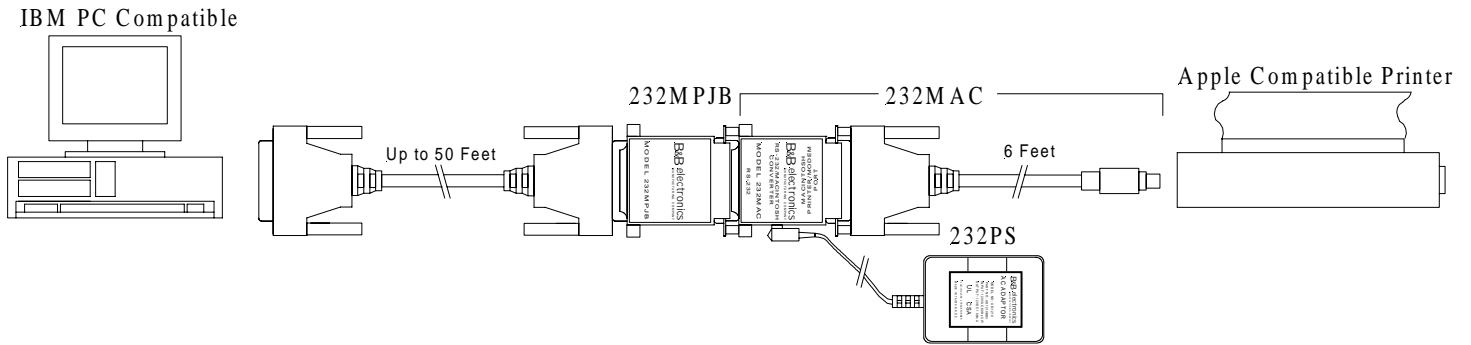


Figure 4. Distances over 6' – 9 pin printer port

