

Model 70001876 Industrial Telephone Modem

Overview

The Digi One IA Modem makes it easy to remotely monitor, access, and troubleshoot industrial equipment over standard telephone lines. It is a v.90 56K EIA-232 external serial modem specifically designed to handle the needs of the industrial automation industry. Its thin DIN Rail mount, 9-30V DC power with terminal block connectors and 0-60°C operating temperature facilitates an easy fit into any control cabinet where industrial devices, such as PLCs, RTUs, flow meters or other controllers may exist.

This modem is designed for applications where remote access to industrial equipment via standard telephone lines is required. For example, it could be used in SCADA (Supervisory Control and Data Acquisition) scenarios where one needs to monitor, control or receive knowledge of alarms and events from a remote industrial device.

It is also valuable for remote troubleshooting. By plugging a Digi One IA Modem into a remote industrial device, anyone authorized can dial directly into a remote location to troubleshoot problems as they occur.

Features

- v.90 56K serial modem
- DIN rail super-thin form factor
- 9-30V DC @ 0.5 Amps max. power with screw terminals
- LEDs for all modem signals
- Detects: Extension pick-up, Remote hang-up, Line in-use
- Straight through DB-9 female to DB-9 male cable included

Specifications

Data Modem: ITU-T V.90/K56flex (SC56), V.34 (SC56 and SC336), V.32bis, V.32, V.22bis, V.22, V.23, and V.21; Bell 212A and Bell 103
V.42 LAPM and MNP 2-4 error correction
V.42bis and MNP 5 data compression
Configurable auto-answer

Fax Modem: ITU-T V.17, V.29, V.27ter, and V.21ch.2
EIA/TIA 578 Class 1 and T.31 Class 1.0 commands
EIA/TIA 578 Class 2 commands

Port: RS-232, DB9 female, DCE configuration

Power: 9-30V DC @ 0.5 Amps max. (power supply not included)

Temperature: 0 to 60 °C (32 to 140°F)

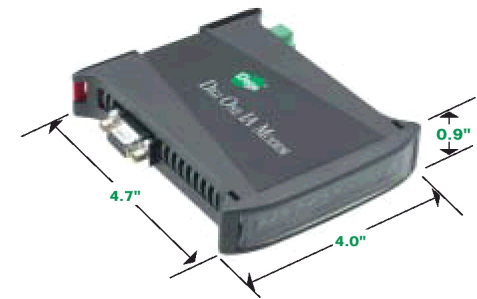
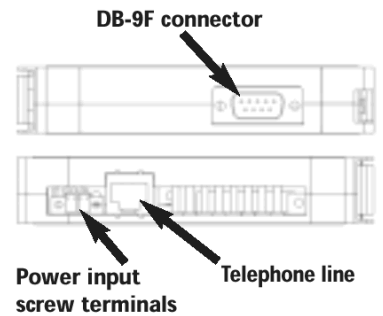
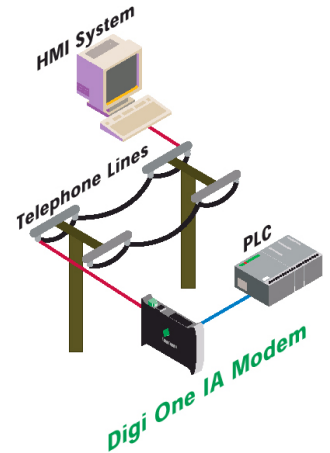
Humidity: 5 to 90% (non-condensing)

Weight: 2.25 oz (64 g)

Approvals: FCC Part 15, Class B; FCC Part 68; UL 1950; CSA 22.2 No 950

Ordering Information

#70001876.....Industrial Telephone Modem



International Headquarters:

B & B Electronics Mfg. Co. 707 Dayton Road P.O. Box 1040 Ottawa, IL 61350 USA
815-433-5100 Fax 433-5104 www.bb-elec.com orders@bb-elec.com support@bb-elec.com

B & B Electronics Ltd Westlink Commercial Park Oranmore Co. Galway Ireland
+353 91 792444 Fax +353 91 792445 www.bb-europe.com orders@bb-elec.com support@bb-europe.com