

Model: 232PDSR Reversed Printer Data Splitter

Description

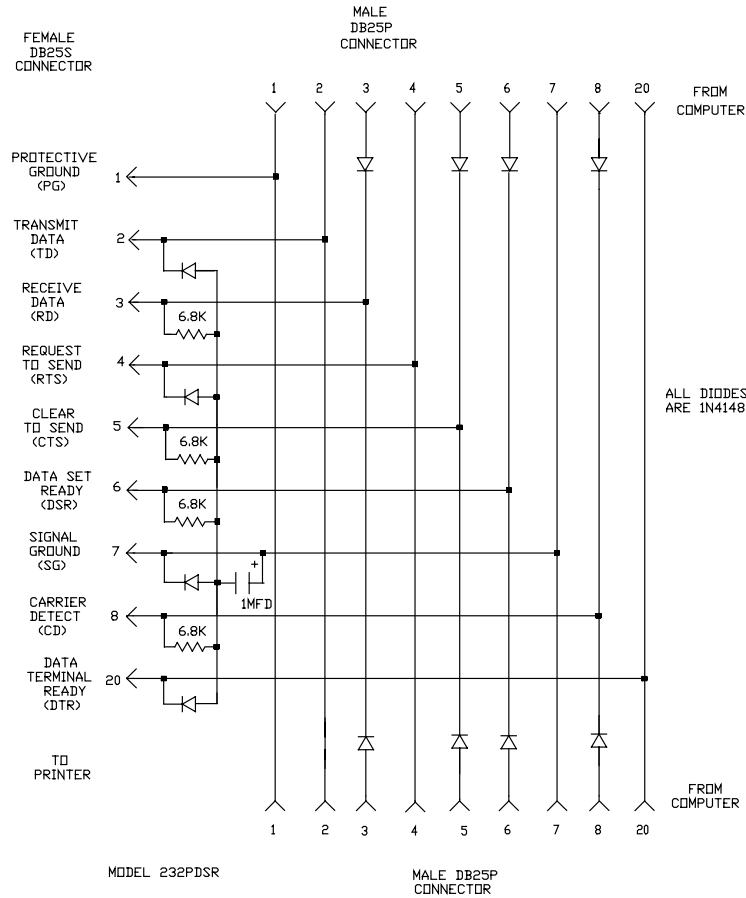
The Printer Data Splitter (Reversed) can be connected so two computers can use one printer without switching. The printer can be used to combine any two DCE ports and connect them to a DTE port.

All signals entering the two side DCE connectors on pins 3 (Receive Data), 5 (Clear to Send), 6 (Data Set Ready), and 8 (Carrier Detect) are diode OR'd together and appear as outputs on the main DTE connector. Pins 2 (Transmit Data), 4 (Request To Send), and 20 (Data Terminal Ready) are normally outputs from a DTE port so they are connected directly from the main connector to both side connectors. The Printer Data Splitter is self-powered from the male DTE (Printer) port and can be left permanently installed.

To ensure proper operation line 3, 5, 6, and 8 on the unused input should be low or open to allow the other input to operate properly. Pins 1 and 7 are connected between all three connectors to provide a ground path.

To install the Printer Data Splitter connect a "straight through" cable (pin 1 to pin 1, pin 2 to pin 2, etc.) between the PDSR and the printer. Any pin reversing or jumpering that is required should be done on the side cables that connect to the two computers.

| DECLARATION OF CONFORMITY | |
|--|--|
| Manufacturer's Name: | B&B Electronics Manufacturing Company |
| Manufacturer's Address: | P.O. Box 1040 707 Dayton Road Ottawa, IL 61350 USA |
| Model Number: | 232PDSR |
| Description: | Reversed Printer Data Splitter |
| Type: | Light industrial ITE equipment |
| Application of Council Directive: | 89/336/EEC |
| Standards: | EN 50082-1 EN 61000 (-4-2, -4-3, -4-4, -4-5, -4-6, -4-8, -4-11) |
| William H. Franklin III, Director of Engineering | |
| | |



International Headquarters:

B&B Electronics Mfg. Co. 707 Dayton Road P.O. Box 1040 Ottawa, IL 61350 USA
815-433-5100 Fax 433-5104 www.bb-elec.com orders@bb-elec.com support@bb-elec.com

B&B Electronics Ltd Westlink Commercial Park Oranmore Co. Galway Ireland
+353 91 792444 Fax +353 91 792445 www.bb-europe.com orders@bb-elec.com support@bb-europe.com