

Quick Start Guide

ILinx 232OPDRI Triple Isolated RS-232 Repeater



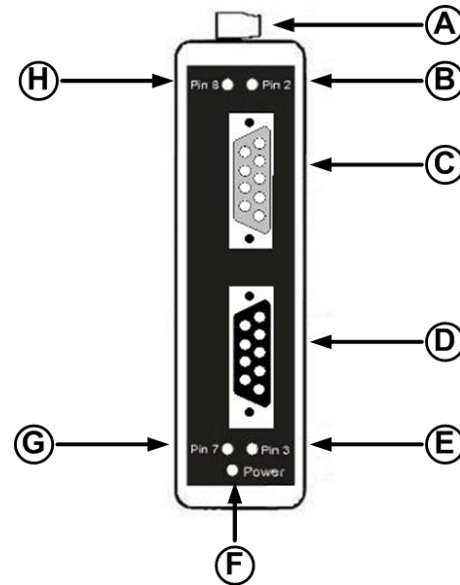
1. Check for Required Hardware

- ❑ ILinx 232OPDRI RS-232 Isolated Repeater
- ❑ This Quick Start Guide
- ❑ Additional Items Required but not included
 - A 10 to 48 VDC Power Supply.
 - Two RS-232 cables.

2. Information – UL Class 1 Div 2

1. Power, input /output (I/O) wiring must be in accordance with Class 1 Division 2 wiring methods [Article 501.10(B) of the National Electric code, NFPA70] and in accordance with the local authority having jurisdiction.
2. Maximum ambient are temperature 80°C.
3. **WARNING – EXPLOSION HAZARD:** SUBSTITUTION OF COMPONENTS MAY IMPAIR SUITABILITY FOR CLASS 1, DIVISION 2.
4. **WARNING – EXPLOSION HAZARD:** WHEN IN HAZARDOUS LOCATIONS, TURNING OFF POWER BEFORE REPLACING OR WIRING MODULES
5. **WARNING – EXPLOSION HAZARD:** DO NOT DISCONNECT EQUIPMENT UNLESS POWER HAS BEEN SWITCHED OFF OR THE AREA IS KNOWN TO BE NON-HAZARDOUS.
6. **WARNING – THIS APPARATUS IS SUITABLE FOR USE IN CLASS 1 DIVISION 2, GROUPS A, B, C, AND D, OR UNCLASSIFIED AREAS.**

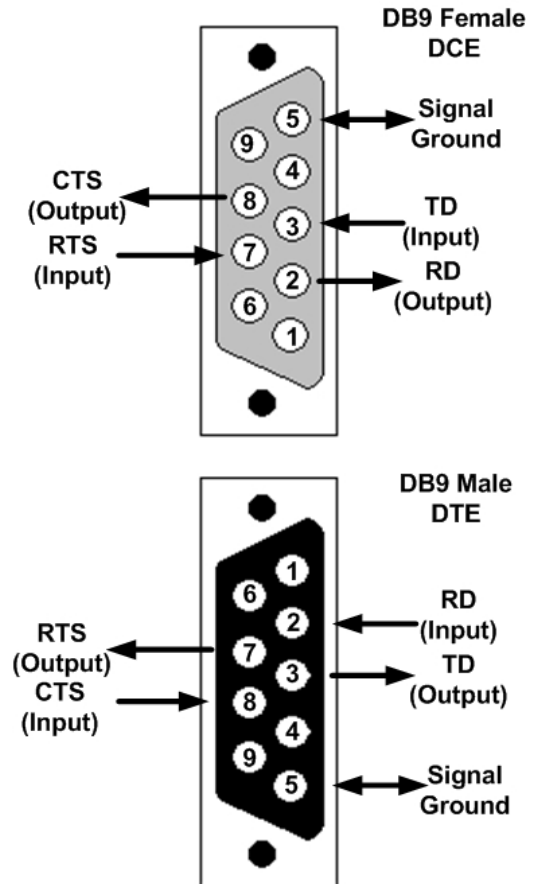
3. Information – Front Panel



Front Panel

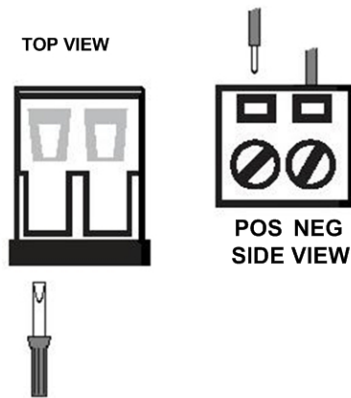
Label	Component	Description
A	Power TB	2 Position, Removable
B	Pin 2 LED	Red, Flashes when RD present on DTE Port
C	DB9 Female	DCE Port
D	DB9 Male	DTE Port
E	Pin 3 LED	Red, Flashes when TD present on DCE Port
F	Power LED	Red, ON When Power Applied
G	Pin 7 LED	Red, Flashes when RTS raised on DCE Port
H	Pin 8 LED	Red, Flashes when CTS raised on DTE Port

4. RS-232 Connections

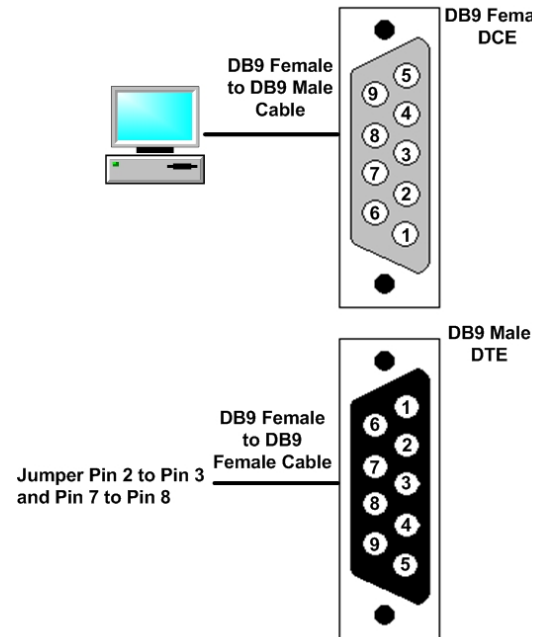


5. Power Connection

Power Requirements: 10 to 48 VDC, 0.2A



6. Loop Back Test / Troubleshooting



- ❑ Use a DB9 Female to DB9 Male cable to connect a PC to the DCE (Top) port.
- ❑ (Recommended) Connect a DB9 Female to DB9 Female cable to the DTE (Bottom) port.
- ❑ On the DTE Port, jumper pin 2 to 3 and pin 7 to 8.
- ❑ Using hyper terminal or similar program, connect to the appropriate COM port (remember to set the baud rate to 9600). Turn off hyper terminal local echo
- ❑ Transmit data. The same data should be returned.
LED Indicators: Power is ON when power is applied.
TD flashes when RS-422/485 data is sent. RD flashes when RS-422/485 Data is received.