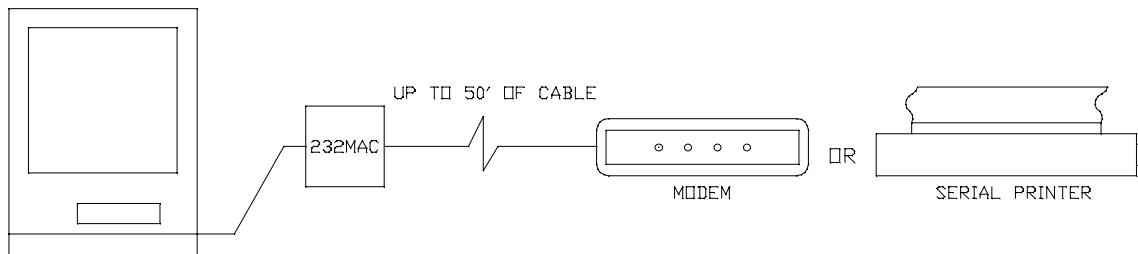
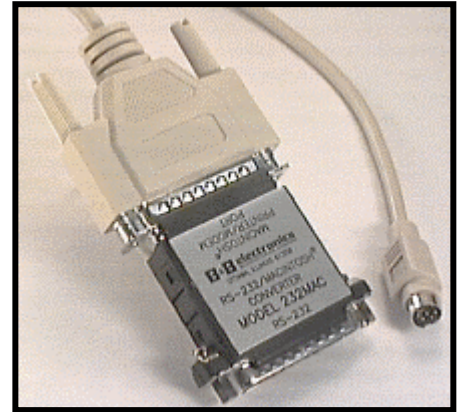


RS-232 to Macintosh® Serial Converter Model 232MAC

The 232MAC converts your Macintosh® printer or modem port into a standard RS-232 port for communicating with modems, serial printers, and other devices that use the RS-232 Standard. The 232MAC supports Transmit Data, Receive Data, Request to Send, Clear to Send, and Carrier Detect. The 232MAC has a DB-25 male connector for the RS-232 connection and includes a six foot cable to connect the converter to the Mac. The 232MAC requires 12 VDC at 65mA.



The 232MAC makes your Macintosh printer or modem port look like an RS-232 DTE device. The relationship between the signals on your Mac and the RS-232 DB-25 connection is shown in Figure 1.

<u>Mac® Signal</u>	<u>RS-232 Signal</u>
TxD	→ TxD (Pin 2)
RxD	← RxD (Pin 3)
HSK _o	→ RTS (Pin 4)
HSK _i	← CTS (Pin 5)
GPI	← CD (Pin 6)
GND	← GND (Pin 7)

Arrows Indicate Signal Direction

FIGURE 1

Not Recommended for New Installations.
 Please contact Technical Support for more information.

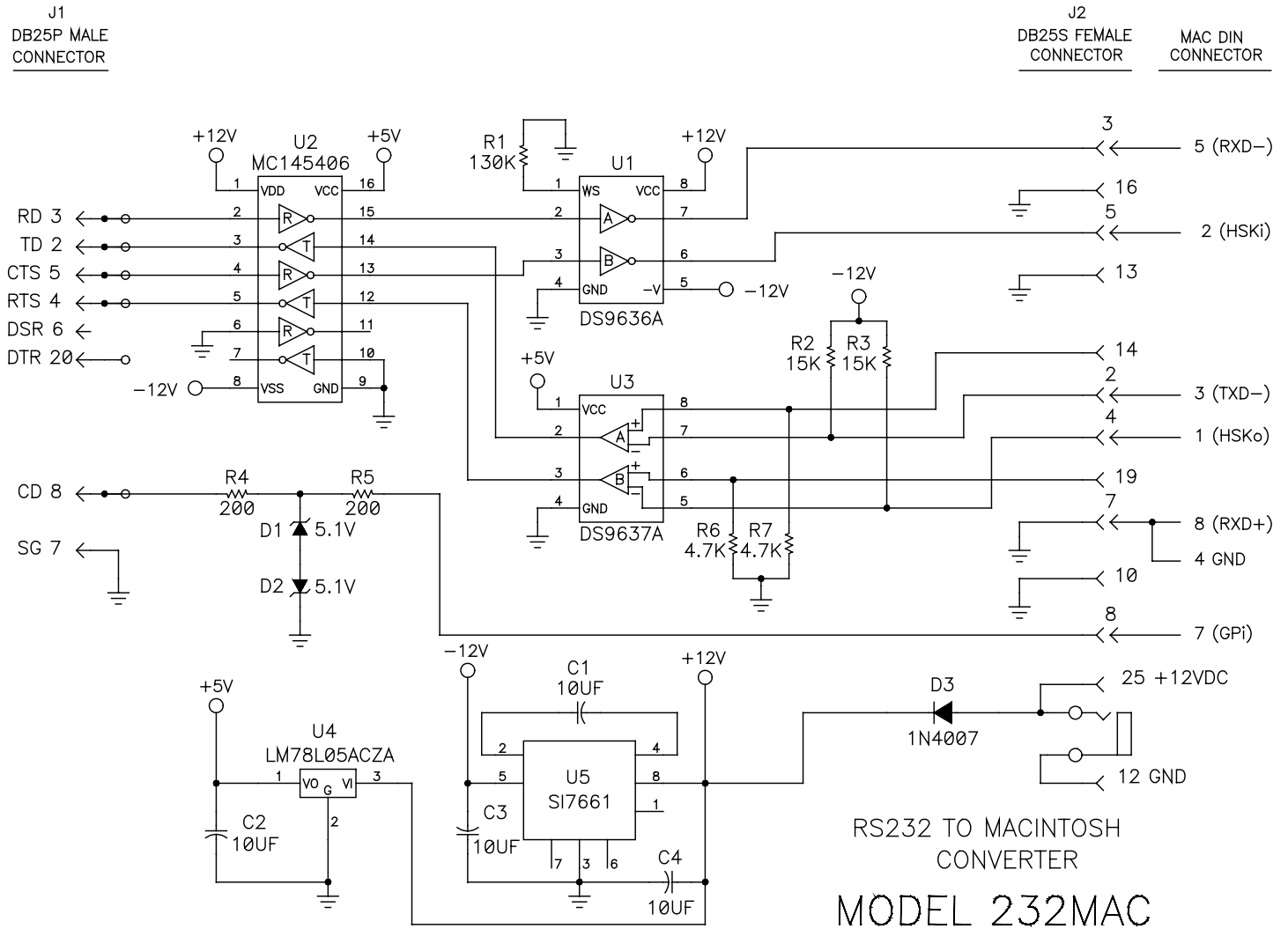


FIGURE 2