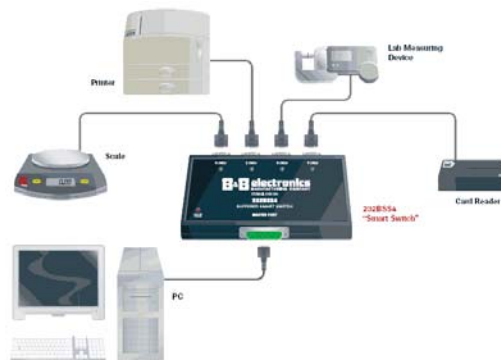


Model: 232BSS4

Four Port Buffered Smart Switch



Features

- ✓ **Communicate with four devices from one serial port**
- ✓ **8 KB transmit and receive buffer**
- ✓ **Each port can be independently configured**
- ✓ **RS-232 Data Rates up to 115.2 kbps**
- ✓ **Setup Software for Windows 98, ME, 2000, XP, and Vista**

Functional Description

Our most intelligent and versatile switch, the 232BSS4 provides communication to four devices from one serial port. Each port contains a dedicated UART and an 8K byte transmit and receive buffer, allowing each ports data rate, data format, and protocol to be configured independently. The Master port can send and receive data from one Slave port while the other Slave ports continue to buffer data. The Master can also broadcast the same message to two or more Slave ports at once. The switch can also be configured to send data automatically to the Master port from each of the Slave ports when data is present with an optional preamble identifying the port. It can also provide two-way communications between the Master port and one Slave port at a time. Switching and control is accomplished through user defined three or four character command strings. These control sequences are stripped from the data stream, making the switch transparent to the Slave devices. Switches can be cascaded to expand the 232BSS4 to more than four ports. Two units can also be used back-to-back to provide automatic connection between devices over a single data channel. LEDs indicate when the unit is powered up and which port is selected to send data to the Master port. Setup software is provided on CD and is compatible with Windows 98, ME, 2000, XP, and Vista. A 12VDC power supply with a 2.5mm (positive tip) phone jack is required (sold separately).

Ordering Information

Model Number	Description
232BSS4	Four Port Buffered Smart Switch
Accessory Items	
232PS	12 VDC power supply, wall transformer
232DTE	DB25 M/F DCE to DTE port reverser (null-modem adapter)
232NM9MF6	DB9 null-modem cable, male / female, 6 foot
232AMF5	DB25 cable, male / female, 6 foot
9PAMF6	DB9 cable, male / female, 6 foot

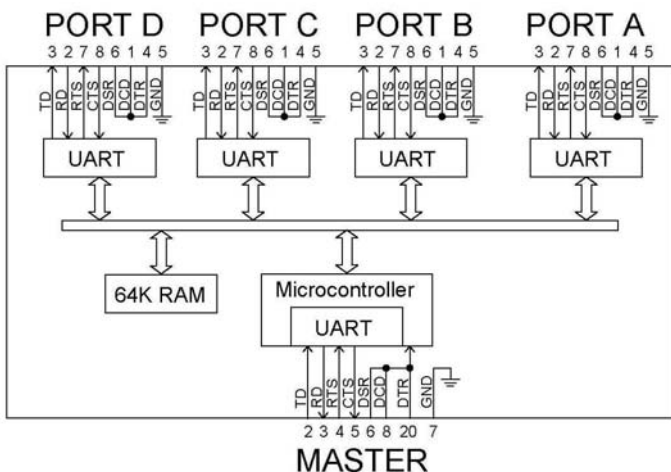


International Headquarters: 707 Dayton Road PO Box 1040 Ottawa, IL 61350 USA
 815-433-5100 Fax 433-5104 www.bb-elec.com orders@bb-elec.com support@bb-elec.com

European Headquarters: Westlink Commercial Park Oranmore Co. Galway Ireland
 +353 91 792444 Fax +353 91 792445 www.bb-europe.com orders@bb-europe.com support@bb-europe.com

Operation


- Refer to the product manual for detailed operating instructions.
- The Master port is a DB25 female connector configured as DCE. This provides a direct connection to an IBM PC compatible or other DTE device. When connecting the Master port to a MODEM, the Master Port of another 232BSS4, or other device configured as DCE, a null MODEM adapter is needed.
- The Slave Ports are DB9 Male connectors configured as DTE for direct connection to a MODEM or other DCE device. When connecting the Slave ports to a PC compatible or other DTE device, a null modem adapter is needed.
- The illustration below gives full pin-outs. Only pins 2 and 3 are required for basic operation.
- Data Format: 7 or 8 data bits, even, odd, or no parity (Master does not support 7 data bits with no parity), 1 Stop Bit (fixed).
- For more information regarding DTE and DCE connections and the RS-232 standard in general, visit http://www.bb-elec.com/technical_library.asp



General Specifications

Power	Positive 10 to 15 VDC / 60 mA
Op Temp	32 to 158 °F (0 to 70°C)
Op Humidity	0 to 95% Non-condensing
Power Conn	2.5 mm phone jack (positive tip)
Master Port Conn	DB25 Female (DCE)
Slave Port Conn	DB9 Male (DTE)
Interface	RS-232 asynchronous
Data Rate	1200 to 115.2 kbps
Flow Control	Hardware (RTS/CTS) or None
Dimensions	7.5 x 4.6 x 1.2 in (19.0 x 11.7 x 3.0 cm)
MTBF	330865 hours
Approvals	CE, FCC
Software Compatibility	Windows 98, ME, 2K, XP, Vista

CE Declaration of Conformity

Manufacturer's Name:	B&B Electronics Manufacturing Company
Manufacturer's Address:	PO Box 1040 707 Dayton Road Ottawa, IL 61350 USA
Model Number:	232BSS4
Description:	Four Port Buffered Smart Switch
Type:	Light Industrial ITE Equipment
Application of Council Directive:	89/336/EEC
Standards:	EN55022 EN 61000-6-1 EN 61000 (-4-2, -4-3, -4-4, -4-5, -4-6, -4-8, -4-11)
 Michael J. Fahrion, Director of Engineering	



International Headquarters: 707 Dayton Road PO Box 1040 Ottawa, IL 61350 USA
 815-433-5100 Fax 433-5104 www.bb-elec.com orders@bb-elec.com support@bb-elec.com

European Headquarters: Westlink Commercial Park Oranmore Co. Galway Ireland
 +353 91 792444 Fax +353 91 792445 www.bb-europe.com orders@bb-europe.com support@bb-europe.com