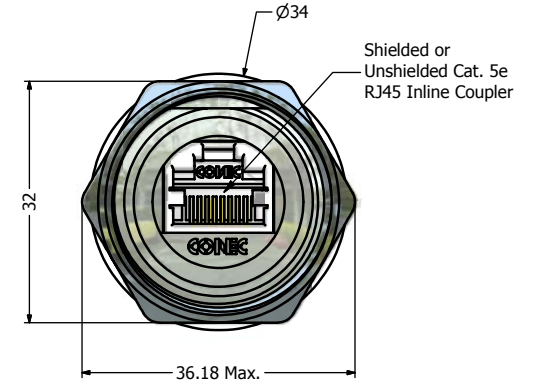
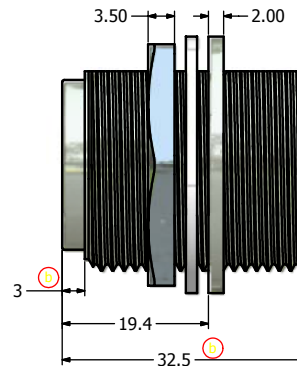
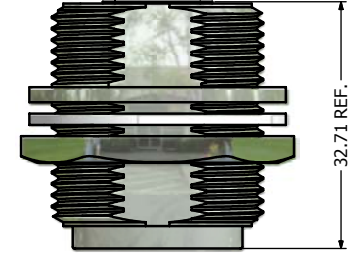


Recommended Panel Cutout



**Notes:**

- Electrical Specifications:
  - Meets EIA/TIA-568-B.2 Cat.5e Specification
  - Contact Resistance: 20mOhm max.
  - Insulation Resistance: 500MOhm min. @ 100 VDC
  - Current Rating: 1.2A max. at 25° C
  - Working Voltage: 100 VDC
  - DWV: 1000 VDC/60s Contact to Contact, 1500 VDC/60s Contact to Metal Shell
  - Operating Temperature: -40° C to +85° C

**2. Material and Finish:**

- Receptacle Housing: Brass, Nickel Plated
- Panel Nut: Brass, Nickel Plated
- Panel Gasket: Silicone, Color: White
- RJ45 Jack Metal Shell: Copper Alloy, Nickel Plated
- RJ45 Jack Plastic Housing: Glass filled PBT UL94 V-0, Color: Black
- RJ45 Jack Contacts: Phosphor Bronze, Finish: 50u" Gold min. over Nickel

3. Connector can be front or rear mounted to a maximum panel thickness of 3.2mm.

4. RoHS compliant

Directive 2002/95/EC  
"RoHS"  
Compliant

Description	Part Number
Metal Version with Shielded RJ45 Inline Coupler	17-100934
Metal Version with Unshielded RJ45 Inline Coupler	17-101494

THIS DRAWING MAY NOT BE COPIED, REPRODUCED, IN ANY WAY AND MAY NOT BE PASSED ON TO A THIRD PARTY WITHOUT WRITTEN PERMISSION. OWNERSHIP AND COPYRIGHT OF CONEC CORPORATION	Customer:			Tolerance Unless otherwise specified		Autodesk Inventor	Scale: 1.5:1	Dim. in mm
	Name	Title	Approval Date	0 PLC ±0.50	1 PLC ±0.38		Title: <b>Receptacle Assembly Kit with Cat. 5e RJ45 Inline Coupler Full Metal Version</b>	
				2 PLC ±0.25	3 PLC ±0.10			
				ANGLES ±3°				
				2008	Date	Name	Material: See Notes	
			Draw.	Oct. 06	Vincent Ke			
			Appd.	Oct. 06	J. Chaudry			
			Norm					
c		Jun/01/2009	Vincent Ke	D-old				
b		Oct/31/2008	Vincent Ke					
a	original							
Rev.	Changes	Date	Name	<b>CONEC</b>		Drawing No.: 17K1A109	DIN A3	
Part No.: SEE P/N TABLE						Sheet 1/1		