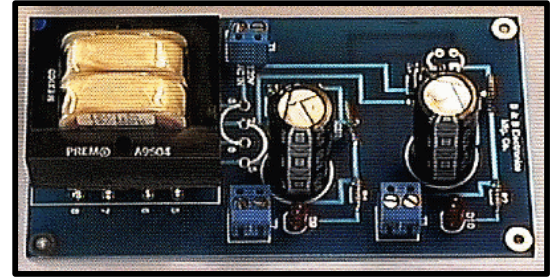


Dual Output 12V 500 ma Isolated Power Supply

**Model 12VDPSIN**

Document No. 12VDPSIN2395



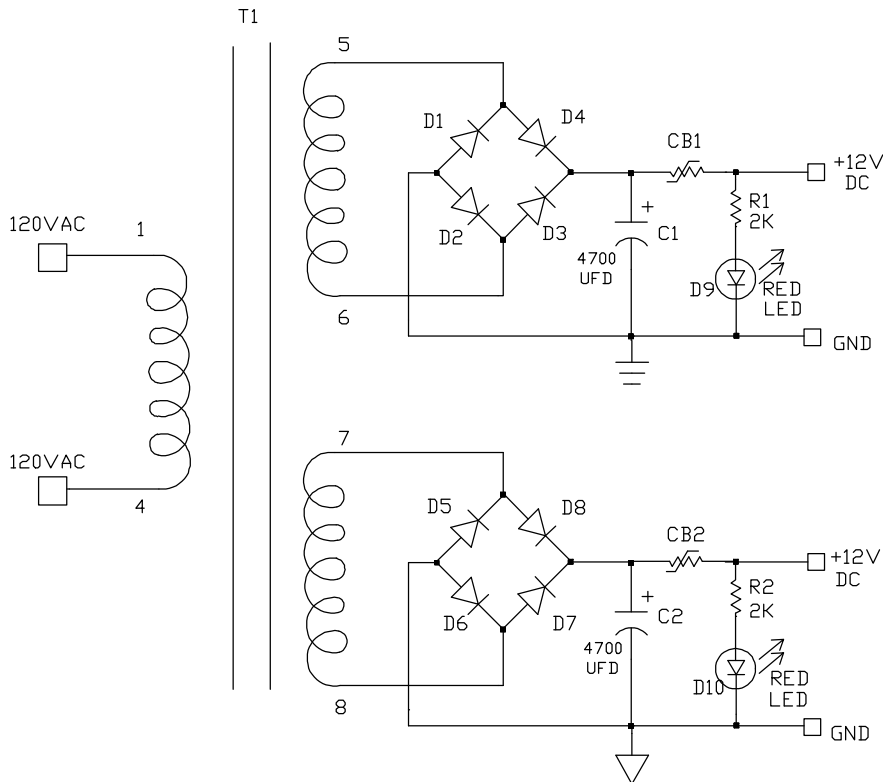
The Model 12VDPSIN provides two sources of +12 volt power at 500 ma each. This supply is designed to be used with optical isolated converters that require two sources of +12 volt power that are isolated. Each output is overload protected with a copolymer switch that shuts off when an overload occurs. The copolymer switch will reset itself when the overload condition is removed. On the primary side of the power supply separate fusing or overload protection must be added, if required.

The Model 12VDPSIN is an unregulated power source. All voltage regulation required for B&B Electronics Mfg.'s industrial line is built into the converters and isolators.

**Mounting**

The Model 12VDPSIN power supply is designed to fit REED DEVICES INC. 2TK and 2TKD series SNAPTRACK. In addition, there are four corner mounting holes if standoffs are used for mounting.

DUAL 12VDC @ 500MA POWER SUPPLY



CB1, CB2 - RAYCHEM POLY SWITCH  
.5A CONTINUOUS HOLD  
.75A TRIP

MODEL 12VDPSIN  
B & B ELECTRONICS  
MFG. COMPANY  
OTTAWA, ILLINOIS 61350  
815 434-0846

© B&B Electronics 1993 - Revised July 1993