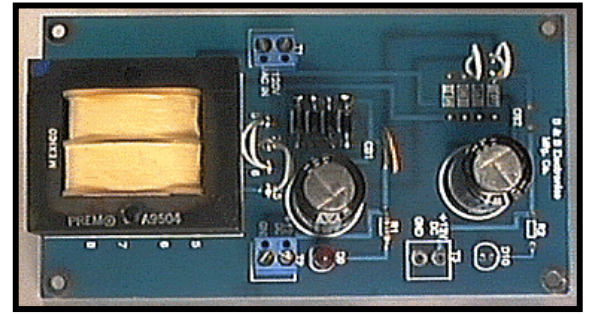


Single Output 12V 1 amp Unregulated Power Supply Model 12VSPSIN

Document No. 12VSPSIN2395

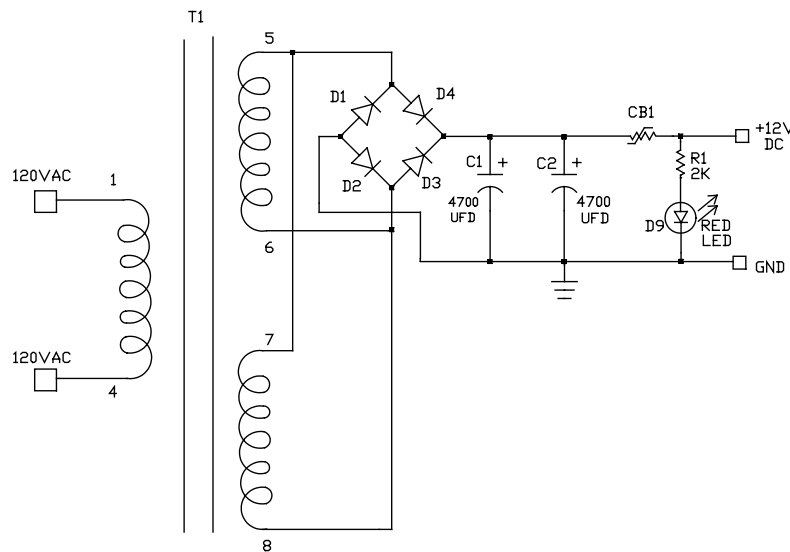


The Model 12VSPSIN provides a source of +12 volt power at 1 amp. The 12 volt output is overload protected with a copolymer switch that shuts off when an overload occurs. The copolymer switch will reset itself when the overload condition is removed. On the primary side of the power supply separate fusing or overload protection must be added, if required. The Model 12VSPSIN is an unregulated power source. All voltage regulation required for B&B Electronics Mfg.'s industrial line is built into the converters and isolators.

Mounting

The Model 12VSPSIN power supply is designed to fit REED DEVICES INC. 2TK and 2TKD series SNAPTRACK. In addition, there are four corner mounting holes if standoffs are used for mounting.

SINGLE 12VDC @ 1A POWER SUPPLY



CB1 - RAYCHEM POLY SWITCH
1.1A CONTINUOUS HOLD
1.65 TRIP

MODEL 12VSPSIN
B & B ELECTRONICS
MFG. COMPANY
OTTAWA, ILLINOIS 61350
815 434-0846

© B&B Electronics 1993